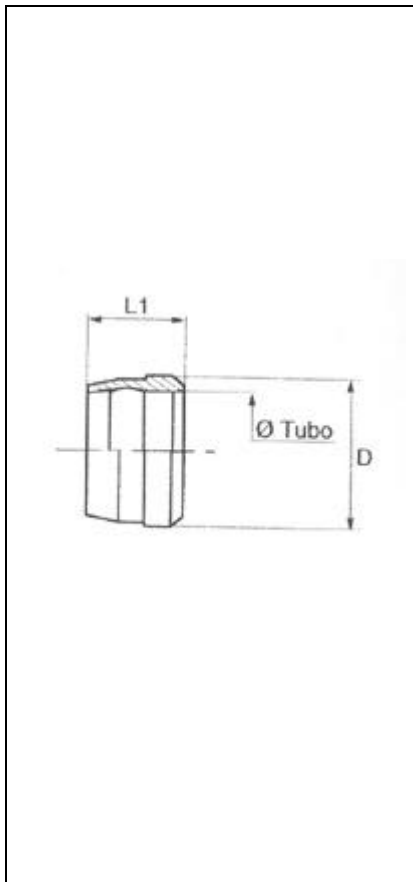
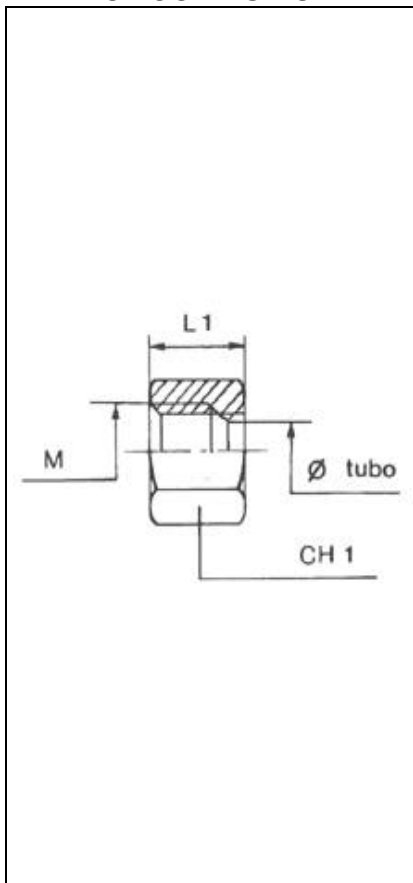
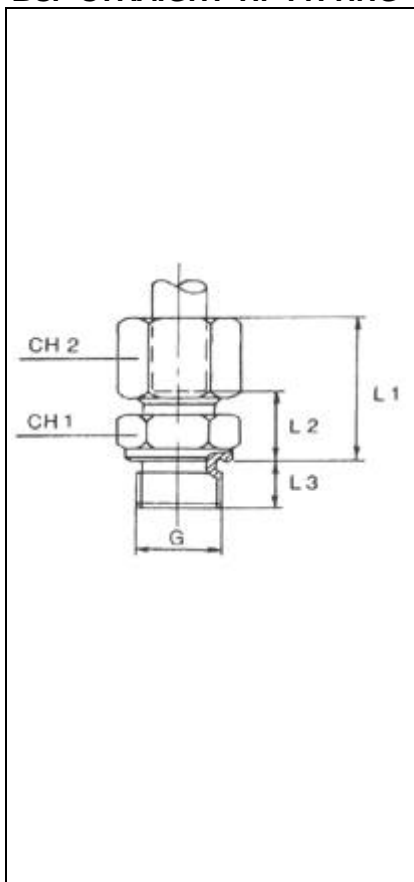


SERIE BB1Y**ANELLO AD INCISIONE PROGRESSIVA B 3 STANDARD****PROGRESSIVE INCISION B 3 STANDARD RING**

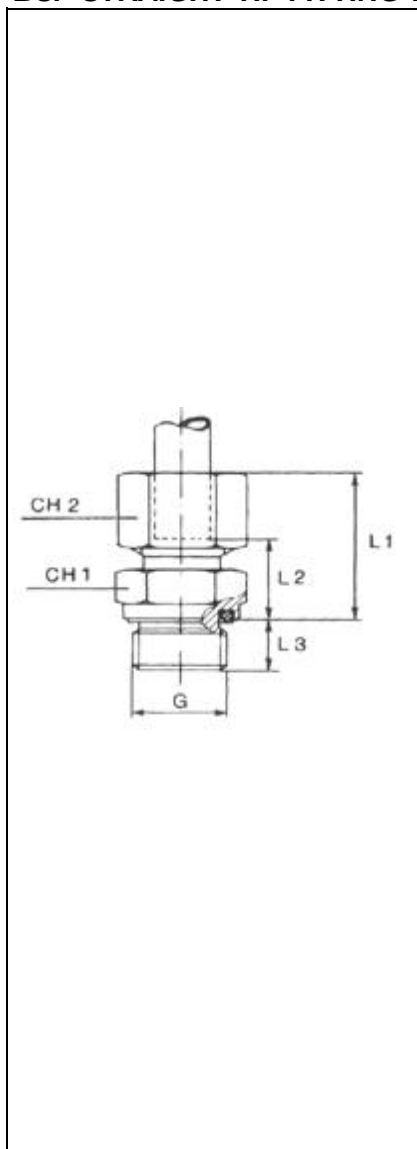
Codice <i>Part Number</i>	Caratteristiche tecniche <i>Technical data</i>			
	Serie	L1	Dia	Bar
BB1Y-04J	LL	6	4	100
BB1Y-06J	LL	7	6	100
BB1Y-08J	LL	7	8	100
BB1Y-06L	L	9,5	6	315
BB1Y-08L	L	9,5	8	315
BB1Y-10L	L	10	10	315
BB1Y-12L	L	10	12	315
BB1Y-15L	L	10	15	315
BB1Y-18L	L	10	18	315
BB1Y-22L	L	10,5	22	160
BB1Y-28L	L	11	28	160
BB1Y-35L	L	13	35	160
BB1Y-42L	L	13	42	160
BB1Y-06S	S	9,5	6	630
BB1Y-08S	S	9,5	8	630
BB1Y-10S	S	10	10	630
BB1Y-12S	S	10	12	630
BB1Y-14S	S	10	14	630
BB1Y-16S	S	10,5	16	400
BB1Y-20S	S	12	20	400
BB1Y-25S	S	12	25	400
BB1Y-30S	S	13	30	400
BB1Y-38S	S	13	38	315

SERIE BD1Y2B**DADO DI SERRAGGIO METRICO****METRIC LOCKING NUT**

Codice <i>Part Number</i>	Caratteristiche tecniche <i>Technical data</i>				
	Serie	M	Dia	CH1	Bar
BD1Y2B-0408J	LL	8x1	4	10	100
BD1Y2B-0610J	LL	10x1	6	12	100
BD1Y2B-0812J	LL	12x1	8	14	100
BD1Y2B-0612L	L	12x1,5	6	14	315
BD1Y2B-0814L	L	14x1,5	8	17	315
BD1Y2B-1016L	L	16x1,5	10	19	315
BD1Y2B-1218L	L	18x1,5	12	22	315
BD1Y2B-1522L	L	22x1,5	15	27	315
BD1Y2B-1826L	L	26x1,5	18	32	315
BD1Y2B-2230L	L	30x2	22	36	160
BD1Y2B-2836L	L	36x2	28	41	160
BD1Y2B-3545L	L	45x2	35	50	160
BD1Y2B-4252L	L	52x2	42	60	160
BD1Y2B-0614S	S	14x1,5	6	17	630
BD1Y2B-0816S	S	16x1,5	8	19	630
BD1Y2B-1018S	S	18x1,5	10	22	630
BD1Y2B-1220S	S	20x1,5	12	24	630
BD1Y2B-1422S	S	22x1,5	14	27	630
BD1Y2B-1624S	S	24x1,5	16	30	400
BD1Y2B-2030S	S	30x2	20	36	400
BD1Y2B-2536S	S	36x2	25	46	400
BD1Y2B-3042S	S	42x2	30	50	400
BD1Y2B-3852S	S	52x2	38	60	315

SERIE BN1Y1**TERMINALE DIRITTO GAS CILINDRICO**
BSP STRAIGHT TIP FITTING

Codice Part Number	Caratteristiche tecniche Technical data				
	Serie	G	Dia	CH1	Bar
BN1Y1-0402J	LL	1/8	4		100
BN1Y1-0602J	LL	1/8	6		100
BN1Y1-0802J	LL	1/8	8		100
BN1Y1-0602L	L	1/8	6	14	315
BN1Y1-0804L	L	1/4	8	19	315
BN1Y1-1004L	L	1/4	10	19	315
BN1Y1-1206L	L	3/8	12	22	315
BN1Y1-1508L	L	1/2	15	27	315
BN1Y1-1808L	L	1/2	18	27	315
BN1Y1-2212L	L	3/4	22	32	160
BN1Y1-2816L	L	1"	28	41	160
BN1Y1-3520L	L	1"1/4	35	50	160
BN1Y1-4224L	L	1"1/2	42	55	160
BN1Y1-0604S	S	1/4	6	19	630
BN1Y1-0804S	S	1/4	8	19	630
BN1Y1-1006S	S	3/8	10	22	630
BN1Y1-1206S	S	3/8	12	22	630
BN1Y1-1408S	S	1/2	14	27	630
BN1Y1-1608S	S	1/2	16	27	400
BN1Y1-2012S	S	3/4	20	32	400
BN1Y1-2516S	S	1"	25	41	400
BN1Y1-3020S	S	1"1/4	30	50	400
BN1Y1-3824S	S	1"1/2	38	55	315

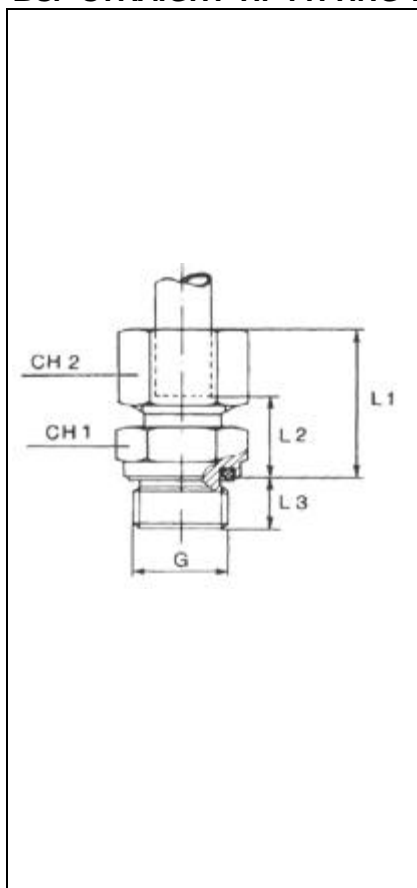
SERIE BN1Y1G**TERMINALE DIRITTO GAS CILINDRICO CON GUARNIZIONE PIANA****BSP STRAIGHT TIP FITTING WITH SEAL**

Codice <i>Part Number</i>	Caratteristiche tecniche <i>Technical data</i>			
	Serie	G	Dia	Bar
BN1Y1G-0402J	LL	1/8	4	100
BN1Y1G-0602J	LL	1/8	6	100
BN1Y1G-0802J	LL	1/8	8	100
BN1Y1G-0602L	L	1/8	6	315
BN1Y1G-0604L	L	1/4	6	315
BN1Y1G-0606L	L	3/8	6	315
BN1Y1G-0802L	L	1/8	8	315
BN1Y1G-0804L	L	1/4	8	315
BN1Y1G-0806L	L	3/8	8	315
BN1Y1G-0808L	L	1/2	8	315
BN1Y1G-1002L	L	1/8	10	315
BN1Y1G-1004L	L	1/4	10	315
BN1Y1G-1006L	L	3/8	10	315
BN1Y1G-1008L	L	1/2	10	315
BN1Y1G-1204L	L	1/4	12	315
BN1Y1G-1206L	L	3/8	12	315
BN1Y1G-1208L	L	1/2	12	315
BN1Y1G-1506L	L	3/8	15	315
BN1Y1G-1508L	L	1/2	15	315
BN1Y1G-1512L	L	3/4	15	315
BN1Y1G-1808L	L	1/2	18	315
BN1Y1G-1812L	L	3/4	18	315
BN1Y1G-2208L	L	1/2	22	160
BN1Y1G-2212L	L	3/4	22	160
BN1Y1G-2216L	L	1"	22	160
BN1Y1G-2812L	L	3/4	28	160
BN1Y1G-2816L	L	1"	28	160
BN1Y1G-3516L	L	1"	35	160
BN1Y1G-3520L	L	1"1/4	35	160
BN1Y1G-4220L	L	1"1/4	42	160
BN1Y1G-4224L	L	1"1/2	42	160

SERIE BN1Y1G

TERMINALE DIRITTO GAS CILINDRICO CON GUARNIZIONE PIANA

BSP STRAIGHT TIP FITTING WITH SEAL

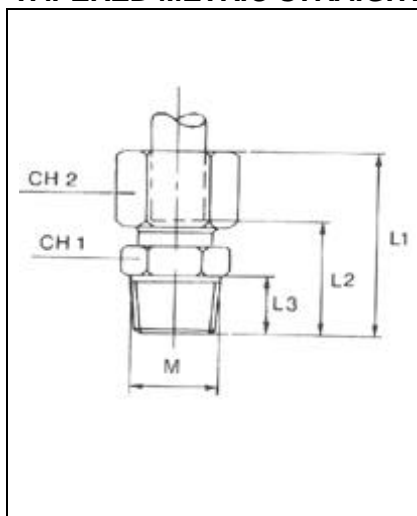


Codice <i>Part Number</i>	Caratteristiche tecniche <i>Technical data</i>				
	Serie	G	Dia		Bar
BN1Y1G-0604S	S	1/4	6		630
BN1Y1G-0804S	S	1/4	8		630
BN1Y1G-0806S	S	3/8	8		630
BN1Y1G-1004S	S	1/4	10		630
BN1Y1G-1006S	S	3/8	10		630
BN1Y1G-1008S	S	1/2	10		630
BN1Y1G-1204S	S	1/4	12		630
BN1Y1G-1206S	S	3/8	12		630
BN1Y1G-1208S	S	1/2	12		630
BN1Y1G-1406S	S	3/8	14		630
BN1Y1G-1408S	S	1/2	14		630
BN1Y1G-1606S	S	3/8	16		400
BN1Y1G-1608S	S	1/2	16		400
BN1Y1G-1612S	S	3/4	16		400
BN1Y1G-2008S	S	1/2	20		400
BN1Y1G-2012S	S	3/4	20		400
BN1Y1G-2016S	S	1"	20		400
BN1Y1G-2512S	S	3/4	25		400
BN1Y1G-2516S	S	1"	25		400
BN1Y1G-3016S	S	1"	30		400
BN1Y1G-3020S	S	1"1/4	30		400
BN1Y1G-3820S	S	1"1/4	38		315
BN1Y1G-3824S	S	1"1/2	38		315

SERIE BN1Y7

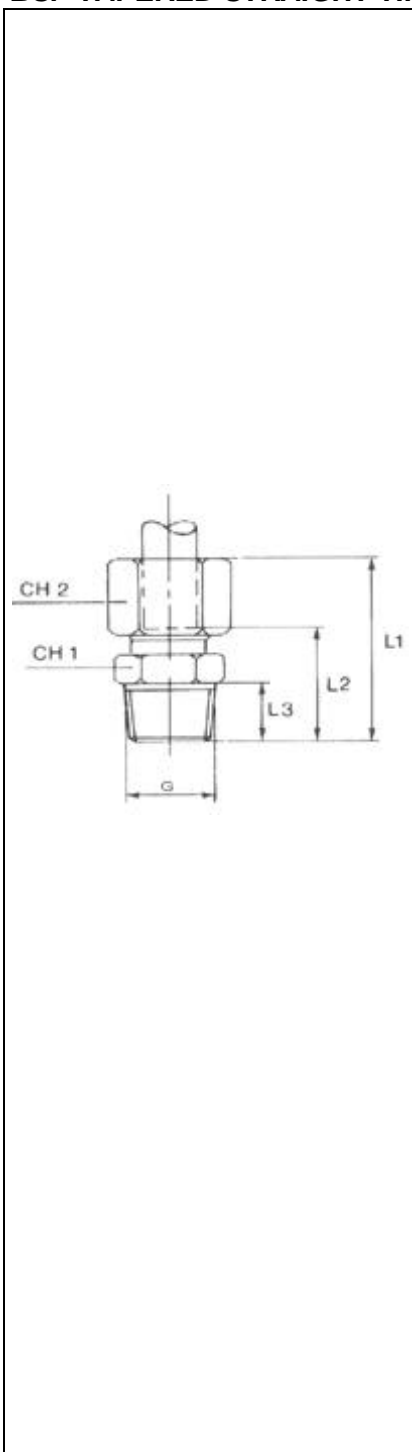
TERMINALE DIRITTO METRICO CONICO

TAPERED METRIC STRAIGHT TIP FITTING



Codice <i>Part Number</i>	Caratteristiche tecniche <i>Technical data</i>				
	Serie	M	Dia	CH1	Bar
BN1Y7-0610L	L	10x1	6	12	315
BN1Y7-0812L	L	12x1,5	8	17	315
BN1Y7-1014L	L	14x1,5	10	17	315
BN1Y7-1216L	L	16x1,5	12	19	315
BN1Y7-1518L	L	18x1,5	15	24	315
BN1Y7-1822L	L	22x1,5	18	27	315
BN1Y7-0612S	S	12x1,5	6	17	630
BN1Y7-0814S	S	14x1,5	8	17	630
BN1Y7-1016S	S	16x1,5	10	19	630
BN1Y7-1218S	S	18x1,5	12	22	630
BN1Y7-1420S	S	20x1,5	14	24	630
BN1Y7-1622S	S	22x1,5	16	27	400

disponibili con ordini programmati / available with planned orders

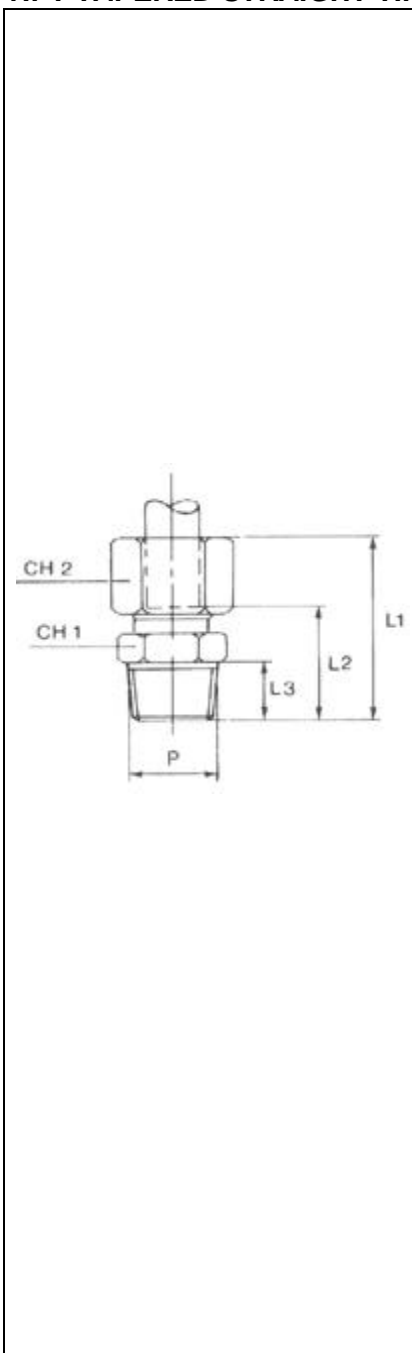
SERIE BN1Y6**TERMINALE DIRITTO GAS CONICO****BSP TAPERED STRAIGHT TIP FITTING**

Codice Part Number	Caratteristiche tecniche Technical data			
	Serie	G	Dia	Bar
BN1Y6-0402J	LL	1/8	4	100
BN1Y6-0602J	LL	1/8	6	100
BN1Y6-0802J	LL	1/8	8	100
BN1Y6-0602L	L	1/8	6	315
BN1Y6-0604L	L	1/4	6	315
BN1Y6-0802L	L	1/8	8	315
BN1Y6-0804L	L	1/4	8	315
BN1Y6-0806L	L	3/8	8	315
BN1Y6-0808L	L	1/2	8	315
BN1Y6-1002L	L	1/8	10	315
BN1Y6-1004L	L	1/4	10	315
BN1Y6-1006L	L	3/8	10	315
BN1Y6-1008L	L	1/2	10	315
BN1Y6-1204L	L	1/4	12	315
BN1Y6-1206L	L	3/8	12	315
BN1Y6-1208L	L	1/2	12	315
BN1Y6-1506L	L	3/8	15	315
BN1Y6-1508L	L	1/2	15	315
BN1Y6-1808L	L	1/2	18	315
BN1Y6-1812L	L	3/4	18	315
BN1Y6-2212L	L	3/4	22	160
BN1Y6-2816L	L	1"	28	160
BN1Y6-3520L	L	1"1/4	35	160
BN1Y6-4224L	L	1"1/2	42	160
BN1Y6-0604S	S	1/4	6	630
BN1Y6-0804S	S	1/4	8	630
BN1Y6-1006S	S	3/8	10	630
BN1Y6-1206S	S	3/8	12	630
BN1Y6-1208S	S	1/2	12	630
BN1Y6-1406S	S	3/8	14	630
BN1Y6-1408S	S	1/2	14	630
BN1Y6-1606S	S	3/8	16	400
BN1Y6-1608S	S	1/2	16	400
BN1Y6-2008S	S	1/2	20	400
BN1Y6-2012S	S	3/4	20	400
BN1Y6-2512S	S	3/4	25	400
BN1Y6-2516S	S	1"	25	400
BN1Y6-3016S	S	1"	30	400
BN1Y6-3020S	S	1"1/4	30	400
BN1Y6-3824S	S	1"1/2	38	315

SERIE BN1Y5

TERMINALE DIRITTO NPT

NPT TAPERED STRAIGHT TIP FITTING

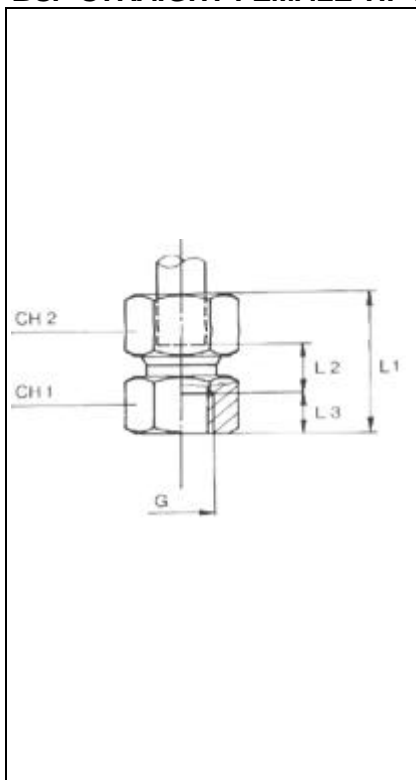


Codice <i>Part Number</i>	Caratteristiche tecniche <i>Technical data</i>			
	Serie	P	Dia	Bar
BN1Y5-0602L	L	1/8 NPT	6	315
BN1Y5-0604L	L	1/4 NPT	6	315
BN1Y5-0802L	L	1/8 NPT	8	315
BN1Y5-0804L	L	1/4 NPT	8	315
BN1Y5-0806L	L	3/8 NPT	8	315
BN1Y5-0808L	L	1/2 NPT	8	315
BN1Y5-1002L	L	1/8 NPT	10	315
BN1Y5-1004L	L	1/4 NPT	10	315
BN1Y5-1006L	L	3/8 NPT	10	315
BN1Y5-1008L	L	1/2 NPT	10	315
BN1Y5-1204L	L	1/4 NPT	12	315
BN1Y5-1206L	L	3/8 NPT	12	315
BN1Y5-1208L	L	1/2 NPT	12	315
BN1Y5-1506L	L	3/8 NPT	15	315
BN1Y5-1508L	L	1/2 NPT	15	315
BN1Y5-1808L	L	1/2 NPT	18	315
BN1Y5-1812L	L	3/4 NPT	18	315
BN1Y5-2212L	L	3/4 NPT	22	160
BN1Y5-2816L	L	1" NPT	28	160
BN1Y5-3520L	L	1"1/4 NPT	35	160
BN1Y5-4224L	L	1"1/2 NPT	42	160
BN1Y5-0604S	S	1/4 NPT	6	630
BN1Y5-0804S	S	1/4 NPT	8	630
BN1Y5-1006S	S	3/8 NPT	10	630
BN1Y5-1206S	S	3/8 NPT	12	630
BN1Y5-1208S	S	1/2 NPT	12	630
BN1Y5-1406S	S	3/8 NPT	14	630
BN1Y5-1408S	S	1/2 NPT	14	630
BN1Y5-1606S	S	3/8 NPT	16	400
BN1Y5-1608S	S	1/2 NPT	16	400
BN1Y5-2008S	S	1/2 NPT	20	400
BN1Y5-2012S	S	3/4 NPT	20	400
BN1Y5-2512S	S	3/4 NPT	25	400
BN1Y5-2516S	S	1" NPT	25	400
BN1Y5-3016S	S	1" NPT	30	400
BN1Y5-3020S	S	1"1/4 NPT	30	400
BN1Y5-3824S	S	1"1/2 NPT	38	315

SERIE BA1Y1

TERMINALE DIRITTO FEMMINA GAS CILINDRICO

BSP STRAIGHT FEMALE TIP FITTING

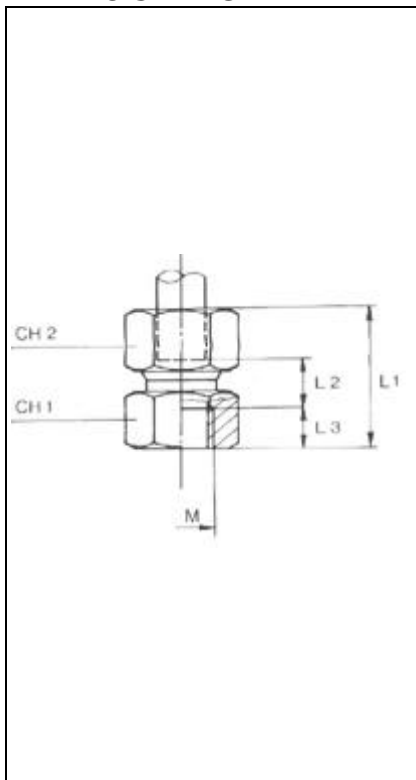


Codice <i>Part Number</i>	Caratteristiche tecniche <i>Technical data</i>				
	Serie	G	Dia	CH1	Bar
BA1Y1-0602L	L	1/8	6	14	315
BA1Y1-0804L	L	1/4	8	19	315
BA1Y1-1004L	L	1/4	10	19	315
BA1Y1-1206L	L	3/8	12	24	315
BA1Y1-1508L	L	1/2	15	27	315
BA1Y1-1808L	L	1/2	18	27	315
BA1Y1-2212L	L	3/4	22	36	160
BA1Y1-2816L	L	1"	28	41	160
BA1Y1-3520L	L	1"1/4	35	55	160
BA1Y1-4224L	L	1"1/2	42	60	160
BA1Y1-0604S	S	1/4	6	19	630
BA1Y1-0804S	S	1/4	8	19	630
BA1Y1-1006S	S	3/8	10	24	630
BA1Y1-1206S	S	3/8	12	24	630
BA1Y1-1408S	S	1/2	14	30	630
BA1Y1-1608S	S	1/2	16	30	400
BA1Y1-2012S	S	3/4	20	36	400
BA1Y1-2516S	S	1"	25	41	400
BA1Y1-3020S	S	1"1/4	30	55	400
BA1Y1-3824S	S	1"1/2	38	60	315

SERIE BA1Y2

TERMINALE DIRITTO FEMMINA METRICO CILINDRICO

METRIC STRAIGHT FEMALE TIP FITTING

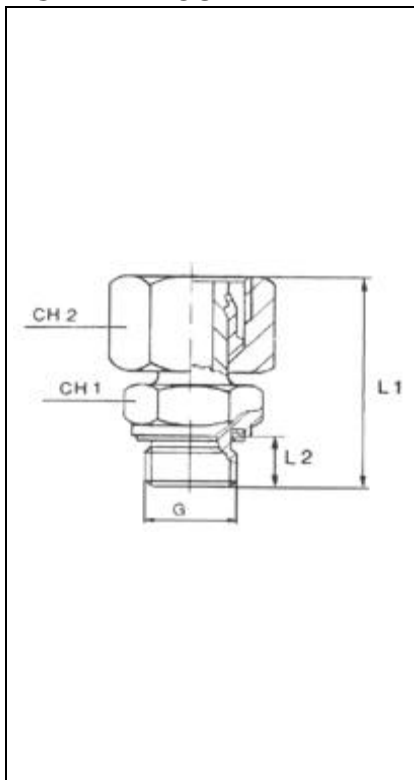


Codice <i>Part Number</i>	Caratteristiche tecniche <i>Technical data</i>				
	Serie	M	Dia	CH1	Bar
BA1Y2-0610L	L	10x1	6	14	315
BA1Y2-0812L	L	12x1,5	8	17	315
BA1Y2-1010L	L	10x1,5	10	19	315
BA1Y2-1216L	L	16x1,5	12	22	315
BA1Y2-1518L	L	18x1,5	15	24	315
BA1Y2-1822L	L	22x1,5	18	30	315
BA1Y2-2226L	L	26x1,5	22	32	160
BA1Y2-2833L	L	33x2	28	41	160
BA1Y2-3542L	L	42x2	35	55	160
BA1Y2-4248L	L	48x2	42	60	160
BA1Y2-0612S	S	12x1,5	6	17	630
BA1Y2-0814S	S	14x1,5	8	19	630
BA1Y2-1016S	S	16x1,5	10	22	630
BA1Y2-1218S	S	18x1,5	12	24	630
BA1Y2-1420S	S	20x1,5	14	27	630
BA1Y2-1622S	S	22x1,5	16	30	400
BA1Y2-2027S	S	27x2	20	36	400
BA1Y2-2533S	S	33x2	25	41	400
BA1Y2-3042S	S	42x2	30	55	400
BA1Y2-3848S	S	48x2	38	60	315

disponibili con ordini programmati / available with planned orders

SERIE BA1Y1S

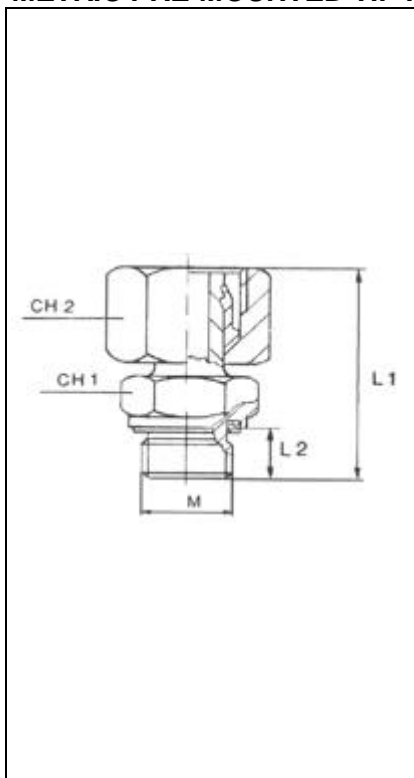
TERMINALE PREMONTATO GAS CILIND. CON GUARNIZIONE PIANA
BSP PRE-MOUNTED TIP FITTING WITH SEAL



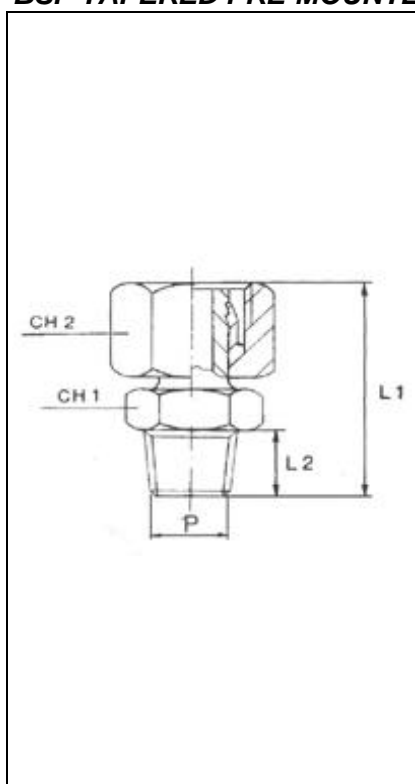
Codice <i>Part Number</i>	Caratteristiche tecniche <i>Technical data</i>				
	Serie	G	Dia	CH1	Bar
BA1Y1S-0602L	L	1/8	6	14	315
BA1Y1S-0804L	L	1/4	8	19	315
BA1Y1S-1004L	L	1/4	10	19	315
BA1Y1S-1206L	L	3/8	12	22	315
BA1Y1S-1508L	L	1/2	15	27	315
BA1Y1S-1808L	L	1/2	18	27	315
BA1Y1S-2212L	L	3/4	22	32	160
BA1Y1S-2816L	L	1"	28	41	160
BA1Y1S-3520L	L	1"1/4	35	50	160
BA1Y1S-4224L	L	1"1/2	42	55	160
BA1Y1S-0604S	S	1/4	6	19	630
BA1Y1S-0804S	S	1/4	8	19	630
BA1Y1S-1006S	S	3/8	10	22	630
BA1Y1S-1206S	S	3/8	12	22	630
BA1Y1S-1408S	S	1/2	14	27	630
BA1Y1S-1608S	S	1/2	16	27	400
BA1Y1S-2012S	S	3/4	20	32	400
BA1Y1S-2516S	S	1"	25	41	400
BA1Y1S-3020S	S	1"1/4	30	50	400
BA1Y1S-3824S	S	1"1/2	38	55	315

SERIE BA1Y2S

TERMINALE PREMONTATO METRICO CILIND. CON GUARNIZ. PIANA
METRIC PRE-MOUNTED TIP FITTING WITH SEAL

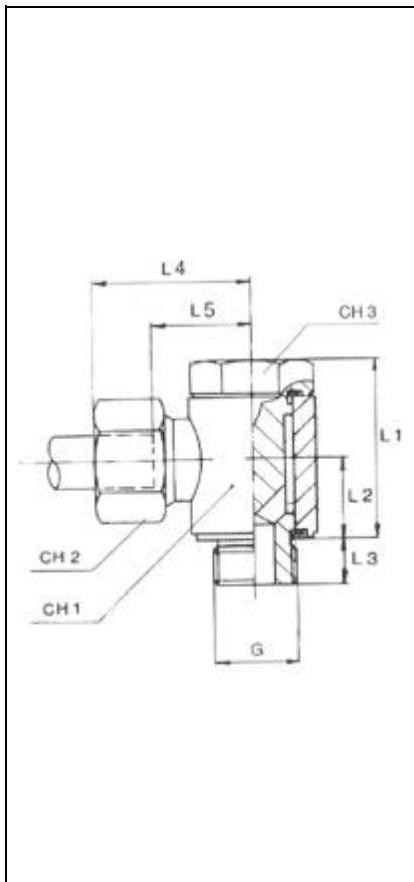


Codice <i>Part Number</i>	Caratteristiche tecniche <i>Technical data</i>				
	Serie	M	Dia	CH1	Bar
BA1Y2S-0610L	L	10x1	6	14	315
BA1Y2S-0812L	L	12x1,5	8	17	315
BA1Y2S-1014L	L	14x1,5	10	19	315
BA1Y2S-1216L	L	16x1,5	12	22	315
BA1Y2S-1518L	L	18x1,5	15	24	315
BA1Y2S-1822L	L	22x1,5	18	27	315
BA1Y2S-2226L	L	26x1,5	22	32	160
BA1Y2S-2833L	L	33x2	28	41	160
BA1Y2S-3542L	L	42x2	35	50	160
BA1Y2S-4248L	L	48x2	42	55	160
BA1Y2S-0612S	S	12x1,5	6	17	630
BA1Y2S-0814S	S	14x1,5	8	19	630
BA1Y2S-1016S	S	16x1,5	10	22	630
BA1Y2S-1218S	S	18x1,5	12	24	630
BA1Y2S-1420S	S	20x,15	14	27	630
BA1Y2S-1622S	S	22x1,5	16	27	400
BA1Y2S-2027S	S	27x2	20	32	400
BA1Y2S-2533S	S	33x2	25	41	400
BA1Y2S-3042S	S	42x2	30	50	400
BA1Y2S-3848S	S	48x2	38	55	315

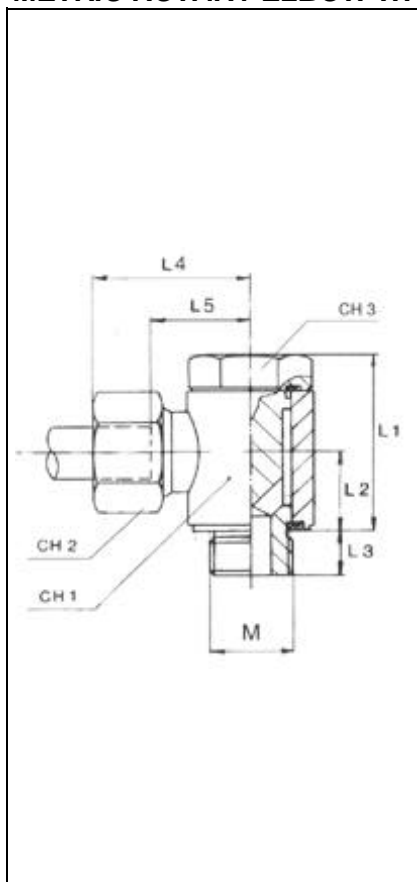
SERIE BA1Y6S**TERMINALE PREMONTATO GAS CONICO****BSP TAPERED PRE-MOUNTED TIP FITTING**

Codice <i>Part Number</i>	Caratteristiche tecniche <i>Technical data</i>				
	Serie	G	Dia	CH1	Bar
BA1Y6S-0602L	L	1/8	6	12	315
BA1Y6S-0804L	L	1/4	8	14	315
BA1Y6S-1004L	L	1/4	10	14	315
BA1Y6S-1206L	L	3/8	12	19	315
BA1Y6S-1508L	L	1/2	15	22	315
BA1Y6S-1808L	L	1/2	18	22	315
BA1Y6S-2212L	L	3/4	22	27	160
BA1Y6S-2816L	L	1"	28	36	160
BA1Y6S-3520L	L	1"1/4	35	46	160
BA1Y6S-4224L	L	1"1/2	42	50	160
BA1Y6S-0604S	S	1/4	6	14	630
BA1Y6S-0804S	S	1/4	8	14	630
BA1Y6S-1006S	S	3/8	10	19	630
BA1Y6S-1206S	S	3/8	12	19	630
BA1Y6S-1408S	S	1/2	14	22	630
BA1Y6S-1608S	S	1/2	16	22	400
BA1Y6S-2012S	S	3/4	20	27	400
BA1Y6S-2516S	S	1"	25	36	400
BA1Y6S-3020S	S	1"1/4	30	46	400
BA1Y6S-3824S	S	1"1/2	38	50	315

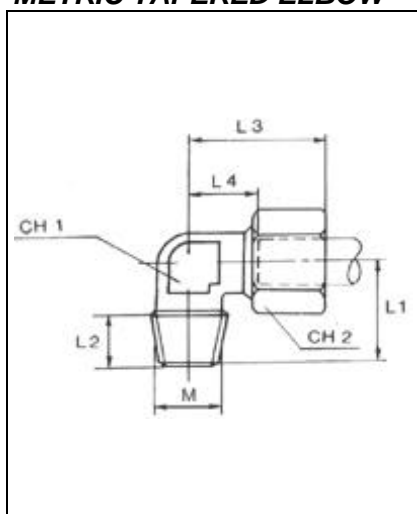
disponibili con ordini programmati / *available with planned orders*

SERIE BL1Y1RG**TERMINALE A GOMITO ORIENTABILE GAS CIL. CON GUARNIZIONE PIANA**
BSP ROTARY ELBOW WITH SEAL

Codice <i>Part Number</i>	Caratteristiche tecniche <i>Technical data</i>				
	Serie	G	Dia	CH1	Bar
BL1Y1RG-0402J	LL	1/8	4	17	100
BL1Y1RG-0602J	LL	1/8	6	17	100
BL1Y1RG-0802J	LL	1/8	8	17	100
BL1Y1RG-0602L	L	1/8	6	17	315
BL1Y1RG-0804L	L	1/4	8	22	315
BL1Y1RG-1004L	L	1/4	10	22	315
BL1Y1RG-1206L	L	3/8	12	27	315
BL1Y1RG-1508L	L	1/2	15	32	315
BL1Y1RG-1808L	L	1/2	18	32	315
BL1Y1RG-2212L	L	3/4	22	41	160
BL1Y1RG-2816L	L	1"	28	50	160
BL1Y1RG-3520L	L	1"1/4	35	60	160
BL1Y1RG-4224L	L	1"1/2	42	70	160
BL1Y1RG-0604S	S	1/4	6	22	630
BL1Y1RG-0804S	S	1/4	8	22	630
BL1Y1RG-1006S	S	3/8	10	27	630
BL1Y1RG-1206S	S	3/8	12	27	630
BL1Y1RG-1408S	S	1/2	14	32	630
BL1Y1RG-1608S	S	1/2	16	32	400
BL1Y1RG-2012S	S	3/4	20	41	400
BL1Y1RG-2516S	S	1"	25	50	400
BL1Y1RG-3020S	S	1"1/4	30	60	400
BL1Y1RG-3824S	S	1"1/2	38	70	315

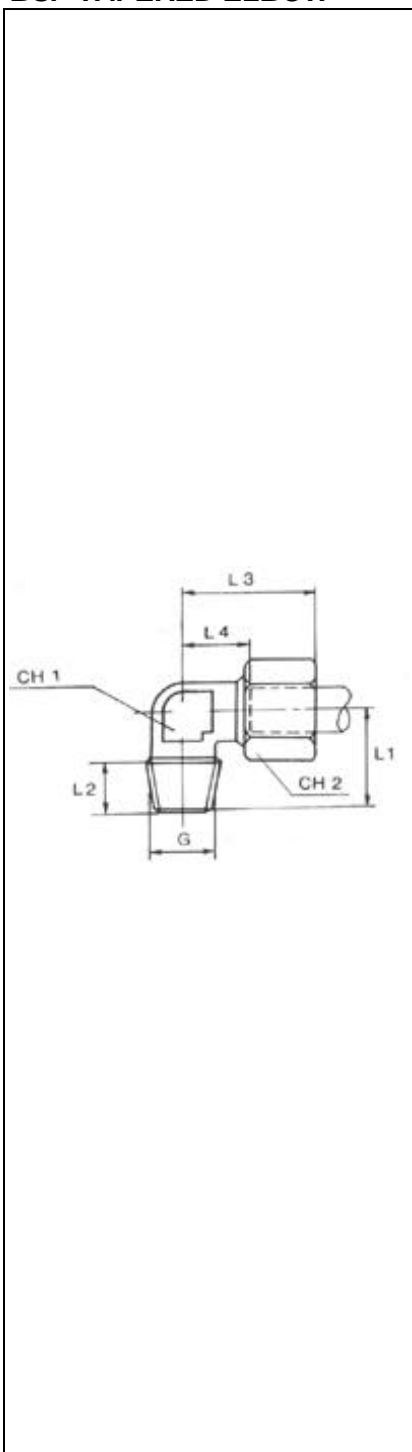
SERIE BL1Y2RG**TERMINALE A GOMITO ORIENTABILE METRICO CIL. CON GUARNIZ. PIANA**
METRIC ROTARY ELBOW WITH SEAL

Codice Part Number	Caratteristiche tecniche Technical data				
	Serie	M	Dia	CH1	Bar
BL1Y2RG-0408J	LL	8x1	4	17	100
BL1Y2RG-0610J	LL	10x1	6	17	100
BL1Y2RG-0810J	LL	10x1	8	17	100
BL1Y2RG-0610L	L	10x1	6	17	315
BL1Y2RG-0812L	L	12x1,5	8	22	315
BL1Y2RG-1014L	L	14x1,5	10	22	315
BL1Y2RG-1216L	L	16x1,5	12	27	315
BL1Y2RG-1518L	L	18x1,5	15	32	315
BL1Y2RG-1822L	L	22x1,5	18	32	315
BL1Y2RG-2226L	L	26x1,5	22	41	160
BL1Y2RG-2833L	L	33x2	28	50	160
BL1Y2RG-3542L	L	42x2	35	60	160
BL1Y2RG-4248L	L	48x2	42	70	160
BL1Y2RG-0612S	S	12x1,5	6	22	630
BL1Y2RG-0814S	S	14x1,5	8	22	630
BL1Y2RG-1016S	S	16x1,5	10	27	630
BL1Y2RG-1218S	S	18x1,5	12	32	630
BL1Y2RG-1420S	S	20x,15	14	32	630
BL1Y2RG-1622S	S	22x1,5	16	32	400
BL1Y2RG-2027S	S	27x2	20	41	400
BL1Y2RG-2533S	S	33x2	25	50	400
BL1Y2RG-3042S	S	42x2	30	60	400
BL1Y2RG-3848S	S	48x2	38	70	315

SERIE BL1Y7M**TERMINALE A GOMITO METRICO CONICO**
METRIC TAPERED ELBOW

Codice Part Number	Caratteristiche tecniche Technical data				
	Serie	M	Dia	CH1	Bar
BL1Y7M-0610L	L	10x1	6	12	315
BL1Y7M-0812L	L	12x1,5	8	12	315
BL1Y7M-1014L	L	14x1,5	10	14	315
BL1Y7M-1216L	L	16x1,5	12	17	315
BL1Y7M-1518L	L	18x1,5	15	19	315
BL1Y7M-1822L	L	22x1,5	18	24	315
BL1Y7M-0612S	S	12x1,5	6	12	630
BL1Y7M-0814S	S	14x1,5	8	14	630
BL1Y7M-1016S	S	16x1,5	10	17	630
BL1Y7M-1218S	S	18x1,5	12	17	630
BL1Y7M-1420S	S	20x,15	14	19	630
BL1Y7M-1622S	S	22x1,5	16	24	400

disponibili con ordini programmati / available with planned orders

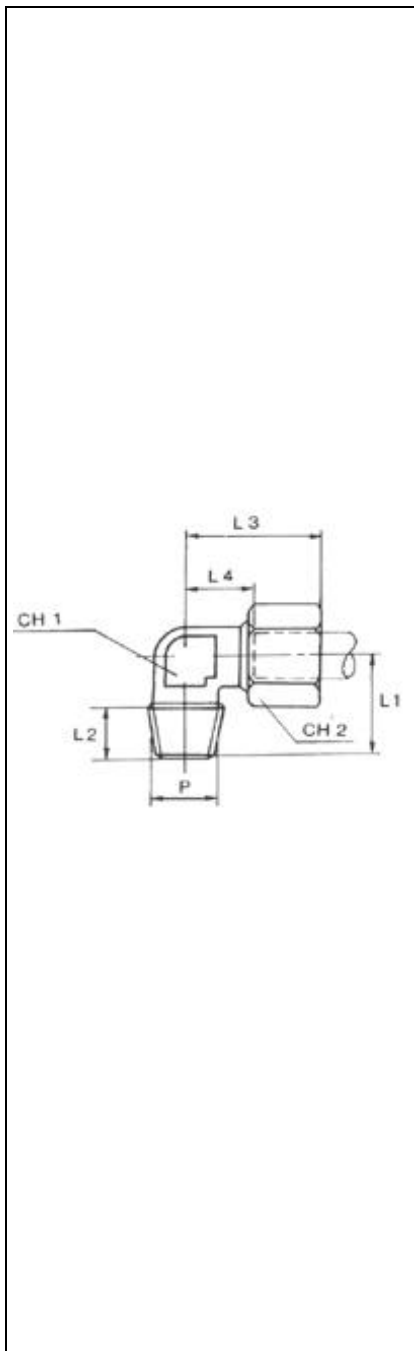
SERIE BL1Y6M**TERMINALE A GOMITO GAS CONICO****BSP TAPERED ELBOW**

Codice Part Number	Caratteristiche tecniche Technical data				
	Serie	G	Dia	CH1	Bar
BL1Y6M-0402J	LL	1/8	4	9	100
BL1Y6M-0602J	LL	1/8	6	9	100
BL1Y6M-0802J	LL	1/8	8	12	100
BL1Y6M-0602L	L	1/8	6	12	315
BL1Y6M-0604L	L	1/4	6	12	315
BL1Y6M-0802L	L	1/8	8	12	315
BL1Y6M-0804L	L	1/4	8	12	315
BL1Y6M-0806L	L	3/8	8	17	315
BL1Y6M-0808L	L	1/2	8	19	315
BL1Y6M-1002L	L	1/8	10	14	315
BL1Y6M-1004L	L	1/4	10	14	315
BL1Y6M-1006L	L	3/8	10	17	315
BL1Y6M-1008L	L	1/2	10	19	315
BL1Y6M-1204L	L	1/4	12	17	315
BL1Y6M-1206L	L	3/8	12	17	315
BL1Y6M-1208L	L	1/2	12	19	315
BL1Y6M-1506L	L	3/8	15	19	315
BL1Y6M-1508L	L	1/2	15	19	315
BL1Y6M-1808L	L	1/2	18	24	315
BL1Y6M-1812L	L	3/4	18	27	315
BL1Y6M-2212L	L	3/4	22	27	160
BL1Y6M-2816L	L	1"	28	36	160
BL1Y6M-3520L	L	1"1/4	35	41	160
BL1Y6M-4224L	L	1"1/2	42	50	160
BL1Y6M-0604S	S	1/4	6	12	630
BL1Y6M-0804S	S	1/4	8	14	630
BL1Y6M-1006S	S	3/8	10	17	630
BL1Y6M-1206S	S	3/8	12	17	630
BL1Y6M-1208S	S	1/2	12	19	630
BL1Y6M-1406S	S	3/8	14	19	630
BL1Y6M-1408S	S	1/2	14	19	630
BL1Y6M-1606S	S	3/8	16	24	400
BL1Y6M-1608S	S	1/2	16	24	400
BL1Y6M-2008S	S	1/2	20	27	400
BL1Y6M-2012S	S	3/4	20	27	400
BL1Y6M-2512S	S	3/4	25	36	400
BL1Y6M-2516S	S	1"	25	36	400
BL1Y6M-3016S	S	1"	30	41	400
BL1Y6M-3020S	S	1"1/4	30	41	400
BL1Y6M-3824S	S	1"1/2	38	50	315

SERIE BL1Y5M

TERMINALE A GOMITO NPT

NPT TAPERED ELBOW

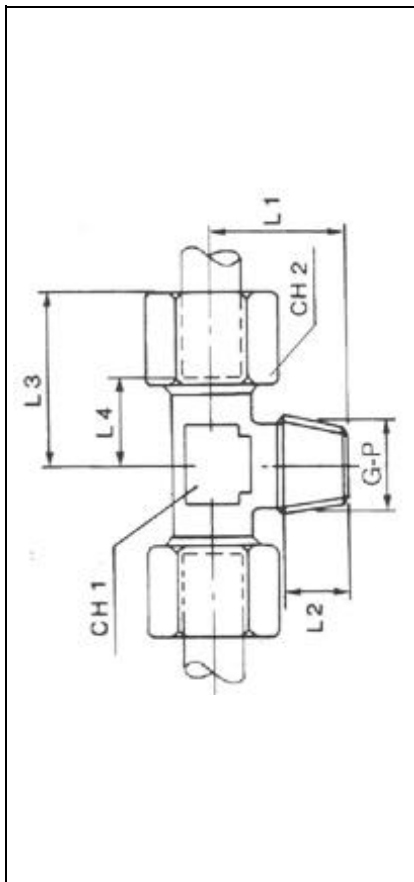


Codice <i>Part Number</i>	Caratteristiche tecniche <i>Technical data</i>				
	Serie	P	Dia	CH1	Bar
BL1Y5M-0602L	L	1/8 NPT	6	12	315
BL1Y5M-0604L	L	1/4 NPT	6	12	315
BL1Y5M-0802L	L	1/8 NPT	8	12	315
BL1Y5M-0804L	L	1/4 NPT	8	12	315
BL1Y5M-0806L	L	3/8 NPT	8	17	315
BL1Y5M-0808L	L	1/2 NPT	8	19	315
BL1Y5M-1002L	L	1/8 NPT	10	14	315
BL1Y5M-1004L	L	1/4 NPT	10	14	315
BL1Y5M-1006L	L	3/8 NPT	10	17	315
BL1Y5M-1008L	L	1/2 NPT	10	19	315
BL1Y5M-1204L	L	1/4 NPT	12	17	315
BL1Y5M-1206L	L	3/8 NPT	12	17	315
BL1Y5M-1208L	L	1/2 NPT	12	19	315
BL1Y5M-1506L	L	3/8 NPT	15	19	315
BL1Y5M-1508L	L	1/2 NPT	15	19	315
BL1Y5M-1808L	L	1/2 NPT	18	24	315
BL1Y5M-1812L	L	3/4 NPT	18	27	315
BL1Y5M-2212L	L	3/4 NPT	22	27	160
BL1Y5M-2816L	L	1" NPT	28	36	160
BL1Y5M-3520L	L	1"1/4 NPT	35	41	160
BL1Y5M-4224L	L	1"1/2 NPT	42	50	160
BL1Y5M-0604S	S	1/4 NPT	6	12	630
BL1Y5M-0804S	S	1/4 NPT	8	14	630
BL1Y5M-1006S	S	3/8 NPT	10	17	630
BL1Y5M-1206S	S	3/8 NPT	12	17	630
BL1Y5M-1208S	S	1/2 NPT	12	19	630
BL1Y5M-1406S	S	3/8 NPT	14	19	630
BL1Y5M-1408S	S	1/2 NPT	14	19	630
BL1Y5M-1606S	S	3/8 NPT	16	24	400
BL1Y5M-1608S	S	1/2 NPT	16	24	400
BL1Y5M-2008S	S	1/2 NPT	20	27	400
BL1Y5M-2012S	S	3/4 NPT	20	27	400
BL1Y5M-2512S	S	3/4 NPT	25	36	400
BL1Y5M-2516S	S	1" NPT	25	36	400
BL1Y5M-3016S	S	1" NPT	30	41	400
BL1Y5M-3020S	S	1"1/4 NPT	30	41	400
BL1Y5M-3824S	S	1"1/2 NPT	38	50	315

SERIE BY1Y6C

TEE DI ESTREMITA' CENTRALE GAS CONICO

BSP TAPERED CENTRAL UNION TEE



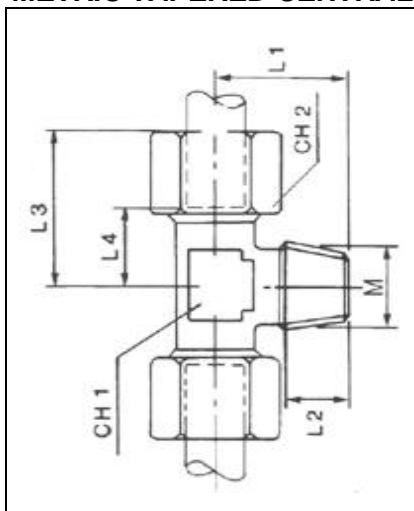
Codice Part Number	Caratteristiche tecniche Technical data				
	Serie	G	Dia	CH1	Bar
BY1Y6C-0402J	LL	1/8	4	9	100
BY1Y6C-0602J	LL	1/8	6	9	100
BY1Y6C-0802J	LL	1/8	8	12	100
BY1Y6C-0602L	L	1/8	6	12	315
BY1Y6C-0804L	L	1/4	8	12	315
BY1Y6C-1004L	L	1/4	10	14	315
BY1Y6C-1206L	L	3/8	12	17	315
BY1Y6C-1508L	L	1/2	15	19	315
BY1Y6C-1808L	L	1/2	18	24	315
BY1Y6C-2212L	L	3/4	22	27	160
BY1Y6C-2816L	L	1"	28	36	160
BY1Y6C-3520L	L	1"1/4	35	41	160
BY1Y6C-4224L	L	1"1/2	42	50	160
BY1Y6C-0604S	S	1/4	6	12	630
BY1Y6C-0804S	S	1/4	8	14	630
BY1Y6C-1006S	S	3/8	10	17	630
BY1Y6C-1206S	S	3/8	12	17	630
BY1Y6C-1408S	S	1/2	14	19	630
BY1Y6C-1608S	S	1/2	16	24	400
BY1Y6C-2012S	S	3/4	20	27	400
BY1Y6C-2516S	S	1"	25	36	400
BY1Y6C-3020S	S	1"1/4	30	41	400
BY1Y6C-3824S	S	1"1/2	38	50	315

disponibili con ordini programmati / available with planned orders

SERIE BY1Y7C

TEE DI ESTREMITA' CENTRALE METRICO CONICO

METRIC TAPERED CENTRAL UNION TEE



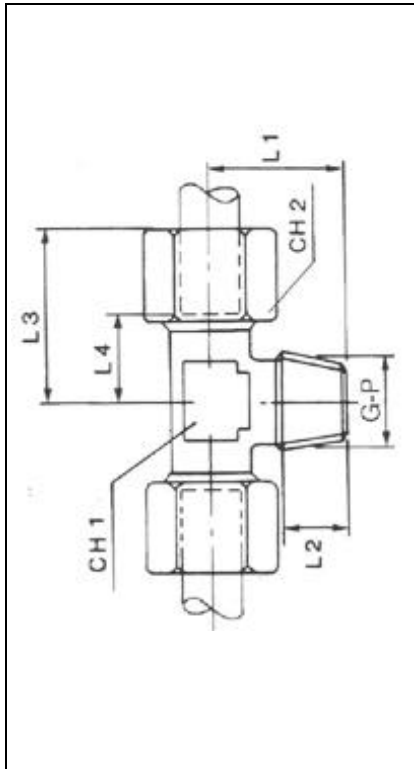
Codice Part Number	Caratteristiche tecniche Technical data				
	Serie	M	Dia	CH1	Bar
BY1Y7C-0610L	L	10x1	6	12	315
BY1Y7C-0812L	L	12x1,5	8	12	315
BY1Y7C-1014L	L	14x1,5	10	14	315
BY1Y7C-1216L	L	16x1,5	12	17	315
BY1Y7C-1518L	L	18x1,5	15	19	315
BY1Y7C-1822L	L	22x1,5	18	24	315
BY1Y7C-0612S	S	12x1,5	6	12	630
BY1Y7C-0814S	S	14x1,5	8	14	630
BY1Y7C-1016S	S	16x1,5	10	17	630
BY1Y7C-1218S	S	18x1,5	12	17	630
BY1Y7C-1420S	S	20x,15	14	19	630
BY1Y7C-1622S	S	22x1,5	16	24	400

disponibili con ordini programmati / available with planned orders

SERIE BY1Y5C

TEE DI ESTREMITA' CENTRALE NPT

NPT TAPERED CENTRAL UNION TEE



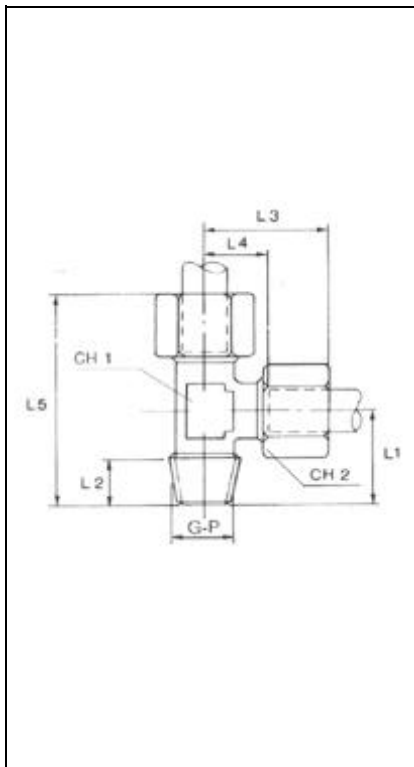
Codice <i>Part Number</i>	Caratteristiche tecniche <i>Technical data</i>				
	Serie	P	Dia	CH1	Bar
BY1Y5C-0602L	L	1/8 NPT	6	12	315
BY1Y5C-0804L	L	1/4 NPT	8	12	315
BY1Y5C-1004L	L	1/4 NPT	10	14	315
BY1Y5C-1206L	L	3/8 NPT	12	17	315
BY1Y5C-1508L	L	1/2 NPT	15	19	315
BY1Y5C-1808L	L	1/2 NPT	18	24	315
BY1Y5C-2212L	L	3/4 NPT	22	27	160
BY1Y5C-2816L	L	1" NPT	28	36	160
BY1Y5C-3520L	L	1"1/4 NPT	35	41	160
BY1Y5C-4224L	L	1"1/2 NPT	42	50	160
BY1Y5C-0604S	S	1/4 NPT	6	12	630
BY1Y5C-0804S	S	1/4 NPT	8	14	630
BY1Y5C-1006S	S	3/8 NPT	10	17	630
BY1Y5C-1206S	S	3/8 NPT	12	17	630
BY1Y5C-1408S	S	1/2 NPT	14	19	630
BY1Y5C-1608S	S	1/2 NPT	16	24	400
BY1Y5C-2012S	S	3/4 NPT	20	27	400
BY1Y5C-2516S	S	1" NPT	25	36	400
BY1Y5C-3020S	S	1"1/4 NPT	30	41	400
BY1Y5C-3824S	S	1"1/2 NPT	38	50	315

disponibili con ordini programmati / *available with planned orders*

SERIE BY1Y6L

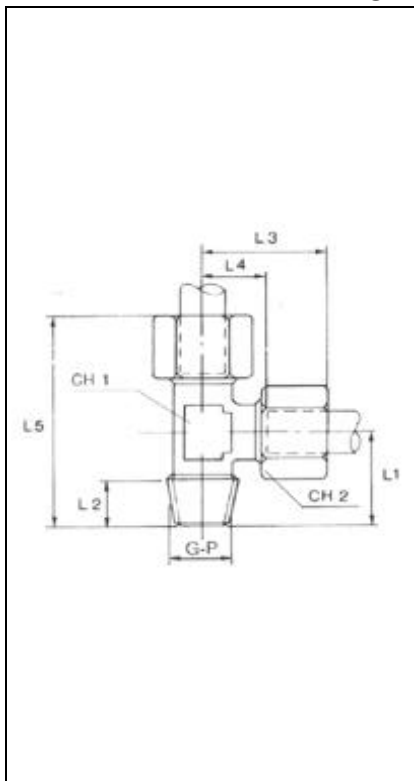
TEE DI ESTREMITA' LATERALE GAS CONICO

BSP TAPERED LATERAL UNION TEE



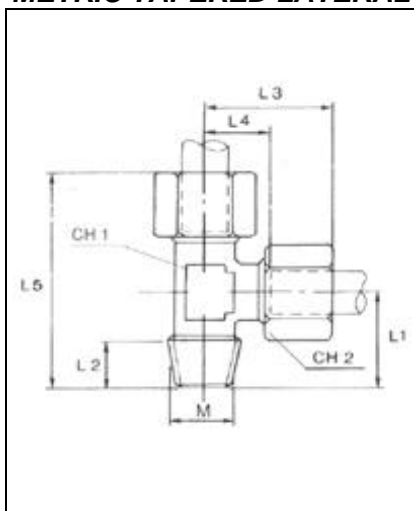
Codice <i>Part Number</i>	Caratteristiche tecniche <i>Technical data</i>				
	Serie	G	Dia	CH1	Bar
BY1Y6L-0602L	L	1/8	6	12	315
BY1Y6L-0804L	L	1/4	8	12	315
BY1Y6L-1004L	L	1/4	10	14	315
BY1Y6L-1206L	L	3/8	12	17	315
BY1Y6L-1508L	L	1/2	15	19	315
BY1Y6L-1808L	L	1/2	18	24	315
BY1Y6L-2212L	L	3/4	22	27	160
BY1Y6L-2816L	L	1"	28	36	160
BY1Y6L-3520L	L	1"1/4	35	41	160
BY1Y6L-4224L	L	1"1/2	42	50	160
BY1Y6L-0604S	S	1/4	6	12	630
BY1Y6L-0804S	S	1/4	8	14	630
BY1Y6L-1006S	S	3/8	10	17	630
BY1Y6L-1206S	S	3/8	12	17	630
BY1Y6L-1408S	S	1/2	14	19	630
BY1Y6L-1608S	S	1/2	16	24	400
BY1Y6L-2012S	S	3/4	20	27	400
BY1Y6L-2516S	S	1"	25	36	400
BY1Y6L-3020S	S	1"1/4	30	41	400
BY1Y6L-3824S	S	1"1/2	38	50	315

disponibili con ordini programmati / *available with planned orders*

SERIE BY1Y5L**TEE DI ESTREMITA' LATERALE NPT****NPT TAPERED LATERAL UNION TEE**

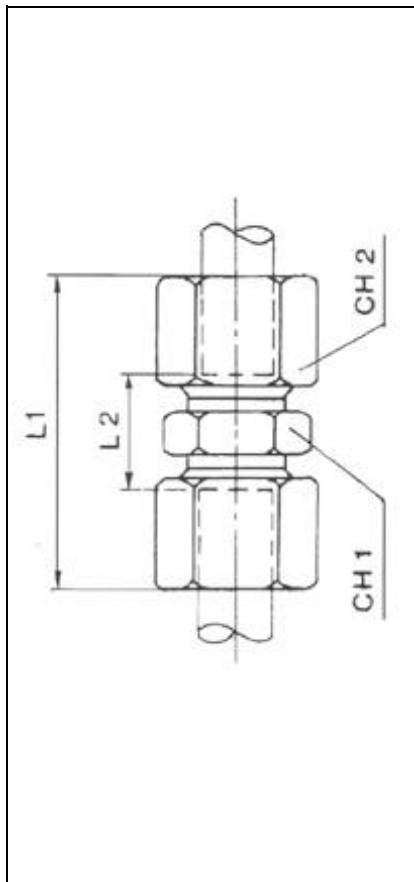
Codice Part Number	Caratteristiche tecniche Technical data				
	Serie	P	Dia	CH1	Bar
BY1Y5L-0602L	L	1/8 NPT	6	12	315
BY1Y5L-0804L	L	1/4 NPT	8	12	315
BY1Y5L-1004L	L	1/4 NPT	10	14	315
BY1Y5L-1206L	L	3/8 NPT	12	17	315
BY1Y5L-1508L	L	1/2 NPT	15	19	315
BY1Y5L-1808L	L	1/2 NPT	18	24	315
BY1Y5L-2212L	L	3/4 NPT	22	27	160
BY1Y5L-2816L	L	1" NPT	28	36	160
BY1Y5L-3520L	L	1"1/4 NPT	35	41	160
BY1Y5L-4224L	L	1"1/2 NPT	42	50	160
BY1Y5L-0604S	S	1/4 NPT	6	12	630
BY1Y5L-0804S	S	1/4 NPT	8	14	630
BY1Y5L-1006S	S	3/8 NPT	10	17	630
BY1Y5L-1206S	S	3/8 NPT	12	17	630
BY1Y5L-1408S	S	1/2 NPT	14	19	630
BY1Y5L-1608S	S	1/2 NPT	16	24	400
BY1Y5L-2012S	S	3/4 NPT	20	27	400
BY1Y5L-2516S	S	1" NPT	25	36	400
BY1Y5L-3020S	S	1"1/4 NPT	30	41	400
BY1Y5L-3824S	S	1"1/2 NPT	38	50	315

disponibili con ordini programmati / available with planned orders

SERIE BY1Y7L**TEE DI ESTREMITA' LATERALE METRICO CONICO****METRIC TAPERED LATERAL UNION TEE**

Codice Part Number	Caratteristiche tecniche Technical data				
	Serie	M	Dia	CH1	Bar
BY1Y7L-0610L	L	10x1	6	12	315
BY1Y7L-0812L	L	12x1,5	8	12	315
BY1Y7L-1014L	L	14x1,5	10	14	315
BY1Y7L-1216L	L	16x1,5	12	17	315
BY1Y7L-1518L	L	18x1,5	15	19	315
BY1Y7L-1822L	L	22x1,5	18	24	315
BY1Y7L-0612S	S	12x1,5	6	12	630
BY1Y7L-0814S	S	14x1,5	8	14	630
BY1Y7L-1016S	S	16x1,5	10	17	630
BY1Y7L-1218S	S	18x1,5	12	17	630
BY1Y7L-1420S	S	20x,15	14	19	630
BY1Y7L-1622S	S	22x1,5	16	24	400

disponibili con ordini programmati / available with planned orders

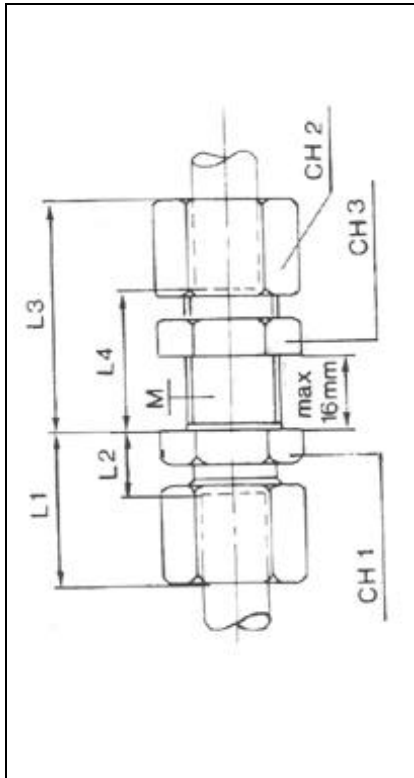
SERIE BN1YY**DIRITTO INTERMEDIO****STRAIGHT INTERMEDIATE FITTING**

Codice <i>Part Number</i>	Caratteristiche tecniche <i>Technical data</i>				
	Serie	L1	Dia	CH1	Bar
BN1YY-04J	LL	31	4	12	100
BN1YY-06J	LL	32	6	12	100
BN1YY-08J	LL	35	8	12	100
BN1YY-06L	L	39	6	12	315
BN1YY-08L	L	40	8	14	315
BN1YY-10L	L	42	10	17	315
BN1YY-12L	L	43	12	19	315
BN1YY-15L	L	46	15	24	315
BN1YY-18L	L	48	18	27	315
BN1YY-22L	L	52	22	32	160
BN1YY-28L	L	54	28	41	160
BN1YY-35L	L	63	35	46	160
BN1YY-42L	L	66	42	55	160
BN1YY-06S	S	45	6	14	630
BN1YY-08S	S	47	8	17	630
BN1YY-10S	S	49	10	19	630
BN1YY-12S	S	51	12	22	630
BN1YY-14S	S	57	14	24	630
BN1YY-16S	S	57	16	27	400
BN1YY-20S	S	66	20	32	400
BN1YY-25S	S	74	25	41	400
BN1YY-30S	S	80	30	50	400
BN1YY-38S	S	90	38	55	315

SERIE BN1Y2V

DIRITTO DI ATTRAVERSAMENTO

METRIC STRAIGHT CROSSING FITTING

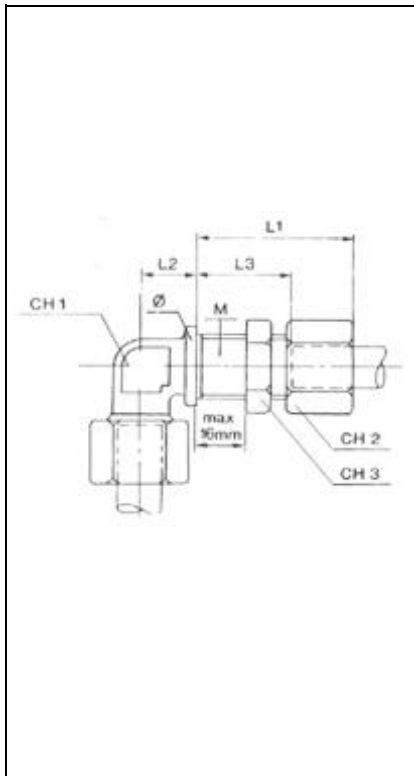


Codice <i>Part Number</i>	Caratteristiche tecniche <i>Technical data</i>				
	Serie	M	Dia	CH1	Bar
BN1Y2V-0612L	L	12x1,5	6	17	315
BN1Y2V-0814L	L	14x1,5	8	19	315
BN1Y2V-1016L	L	16x1,5	10	22	315
BN1Y2V-1218L	L	18x1,5	12	24	315
BN1Y2V-1522L	L	22x1,5	15	27	315
BN1Y2V-1826L	L	26x1,5	18	32	315
BN1Y2V-2230L	L	30x2	22	36	160
BN1Y2V-2836L	L	36x2	28	41	160
BN1Y2V-3545L	L	45x2	35	50	160
BN1Y2V-4252L	L	52x2	42	60	160
BN1Y2V-0614S	S	14x1,5	6	19	630
BN1Y2V-0816S	S	16x1,5	8	22	630
BN1Y2V-1018S	S	18x1,5	10	24	630
BN1Y2V-1220S	S	20x1,5	12	27	630
BN1Y2V-1422S	S	22x1,5	14	30	630
BN1Y2V-1624S	S	24x1,5	16	32	400
BN1Y2V-2030S	S	30x2	20	41	400
BN1Y2V-2536S	S	36x2	25	46	400
BN1Y2V-3042S	S	42x2	30	50	400
BN1Y2V-3852S	S	52x2	38	65	315

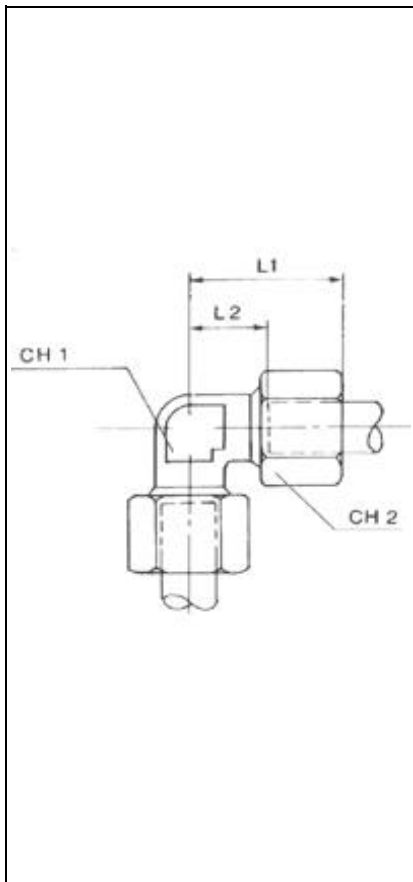
SERIE BL1Y2V

GOMITO DI ATTRAVERSAMENTO

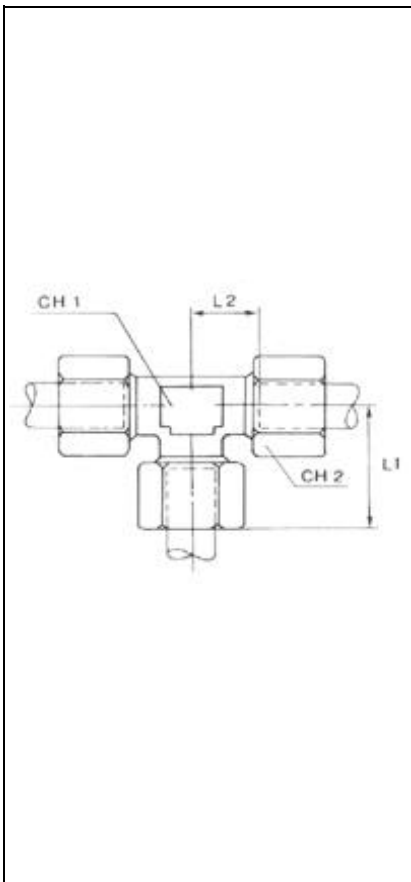
METRIC CROSSING ELBOW



Codice <i>Part Number</i>	Caratteristiche tecniche <i>Technical data</i>				
	Serie	M	Dia	CH1	Bar
BL1Y2V-0612L	L	12x1,5	6	12	315
BL1Y2V-0814L	L	14x1,5	8	12	315
BL1Y2V-1016L	L	16x1,5	10	14	315
BL1Y2V-1218L	L	18x1,5	12	17	315
BL1Y2V-1522L	L	22x1,5	15	19	315
BL1Y2V-1826L	L	26x1,5	18	24	315
BL1Y2V-2230L	L	30x2	22	27	160
BL1Y2V-2836L	L	36x2	28	36	160
BL1Y2V-3545L	L	45x2	35	41	160
BL1Y2V-4252L	L	52x2	42	50	160
BL1Y2V-0614S	S	14x1,5	6	12	630
BL1Y2V-0816S	S	16x1,5	8	14	630
BL1Y2V-1018S	S	18x1,5	10	17	630
BL1Y2V-1220S	S	20x1,5	12	17	630
BL1Y2V-1422S	S	22x1,5	14	19	630
BL1Y2V-1624S	S	24x1,5	16	24	400
BL1Y2V-2030S	S	30x2	20	27	400
BL1Y2V-2536S	S	36x2	25	36	400
BL1Y2V-3042S	S	42x2	30	41	400
BL1Y2V-3852S	S	52x2	38	50	315

BL1YY**GOMITO INTERMEDIO**
INTERMEDIATE ELBOW

Codice <i>Part Number</i>	Caratteristiche tecniche <i>Technical data</i>				
	Serie	L1	Dia	CH1	Bar
BL1YY-04J	LL	21	4	9	100
BL1YY-06J	LL	21	6	9	100
BL1YY-08J	LL	23	8	12	100
BL1YY-06L	L	27	6	12	315
BL1YY-08L	L	29	8	12	315
BL1YY-10L	L	30	10	14	315
BL1YY-12L	L	32	12	17	315
BL1YY-15L	L	36	15	19	315
BL1YY-18L	L	40	18	24	315
BL1YY-22L	L	44	22	27	160
BL1YY-28L	L	47	28	36	160
BL1YY-35L	L	56	35	41	160
BL1YY-42L	L	63	42	50	160
BL1YY-06S	S	31	6	12	630
BL1YY-08S	S	32	8	14	630
BL1YY-10S	S	34	10	17	630
BL1YY-12S	S	38	12	17	630
BL1YY-14S	S	40	14	19	630
BL1YY-16S	S	43	16	24	400
BL1YY-20S	S	48	20	27	400
BL1YY-25S	S	54	25	36	400
BL1YY-30S	S	62	30	41	400
BL1YY-38S	S	72	38	50	315

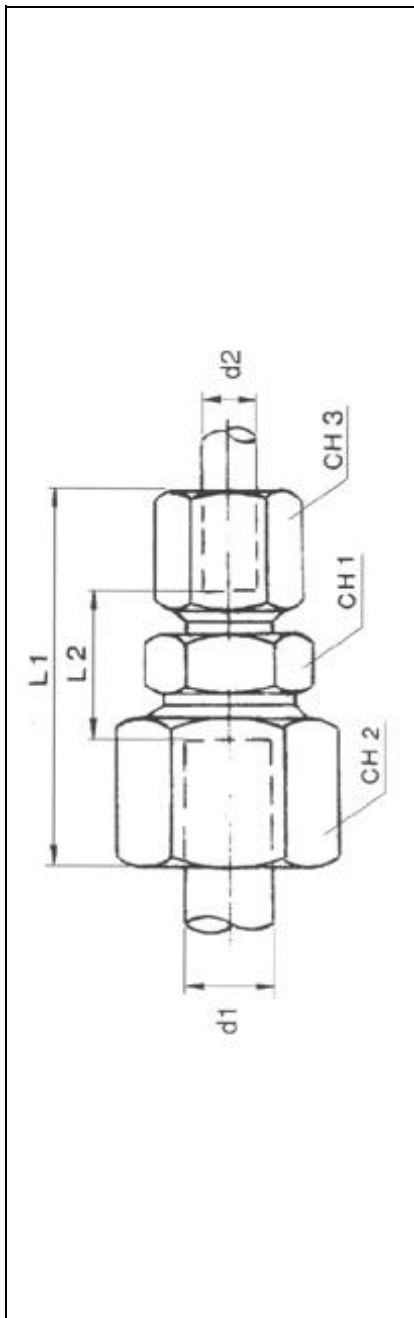
SERIE BY1YY**TEE INTERMEDIO****INTERMEDIATE UNION TEE**

Codice <i>Part Number</i>	Caratteristiche tecniche <i>Technical data</i>				
	Serie	L1	Dia	CH1	Bar
BY1YY-04J	LL	21	4	9	100
BY1YY-06J	LL	21	6	9	100
BY1YY-08J	LL	23	8	12	100
BY1YY-06L	L	27	6	12	315
BY1YY-08L	L	29	8	12	315
BY1YY-10L	L	30	10	14	315
BY1YY-12L	L	32	12	17	315
BY1YY-15L	L	36	15	19	315
BY1YY-18L	L	40	18	24	315
BY1YY-22L	L	44	22	27	160
BY1YY-28L	L	47	28	36	160
BY1YY-35L	L	56	35	41	160
BY1YY-42L	L	63	42	50	160
BY1YY-06S	S	31	6	12	630
BY1YY-08S	S	32	8	14	630
BY1YY-10S	S	34	10	17	630
BY1YY-12S	S	38	12	17	630
BY1YY-14S	S	40	14	19	630
BY1YY-16S	S	43	16	24	400
BY1YY-20S	S	48	20	27	400
BY1YY-25S	S	54	25	36	400
BY1YY-30S	S	62	30	41	400
BY1YY-38S	S	72	38	50	315

SERIE BR1YY

DIRITTO INTERMEDIO RIDOTTO

STRAIGHT INTERMEDIATE REDUCTION

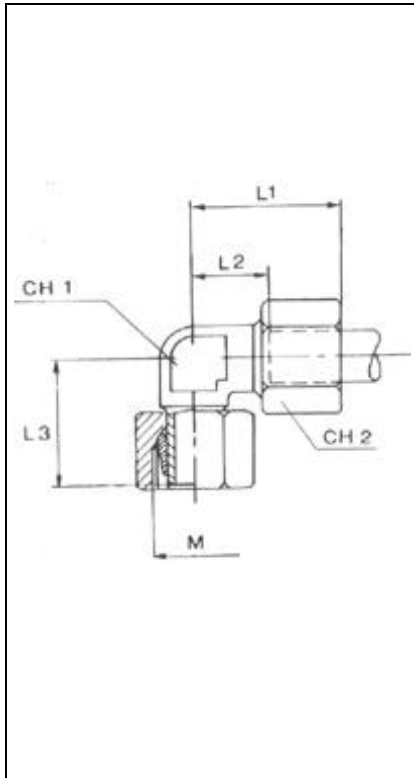


Codice <i>Part Number</i>	Caratteristiche tecniche <i>Technical data</i>				
	Serie	L1	d1	d2	Bar
BR1YY-0806L	L	40,5	8	6	315
BR1YY-1006L	L	41,5	10	6	315
BR1YY-1008L	L	42	10	8	315
BR1YY-1206L	L	42	12	6	315
BR1YY-1208L	L	42,5	12	8	315
BR1YY-1210L	L	43,5	12	10	315
BR1YY-1510L	L	45	15	10	315
BR1YY-1512L	L	44,5	15	12	315
BR1YY-1810L	L	47	18	10	315
BR1YY-1812L	L	46,5	18	12	315
BR1YY-1815L	L	48	18	15	315
BR1YY-2212L	L	48,5	22	12	160
BR1YY-2215L	L	50	22	15	160
BR1YY-2218L	L	51	22	18	160
BR1YY-2818L	L	52	28	18	160
BR1YY-2822L	L	54	28	22	160
BR1YY-3522L	L	59	35	22	160
BR1YY-3528L	L	59	35	28	160
BR1YY-0806S	S	48	8	6	630
BR1YY-1006S	S	48,5	10	6	630
BR1YY-1008S	S	48,5	10	8	630
BR1YY-1206S	S	50,5	12	6	630
BR1YY-1208S	S	50,5	12	8	630
BR1YY-1210S	S	51	12	10	630
BR1YY-1410S	S	54,5	14	10	630
BR1YY-1412S	S	54,5	14	12	630
BR1YY-1612S	S	54,5	16	12	400
BR1YY-1614S	S	58	16	14	400
BR1YY-2010S	S	59,5	20	10	400
BR1YY-2012S	S	59,5	20	12	400
BR1YY-2016S	S	63	20	16	400
BR1YY-2516S	S	68	25	16	400
BR1YY-2520S	S	71	25	20	400
BR1YY-3020S	S	74	30	20	400
BR1YY-3025S	S	77	30	25	400
BR1YY-3830S	S	87	38	30	315

disponibili con ordini programmati / *available with planned orders*

SERIE BL1Y2S

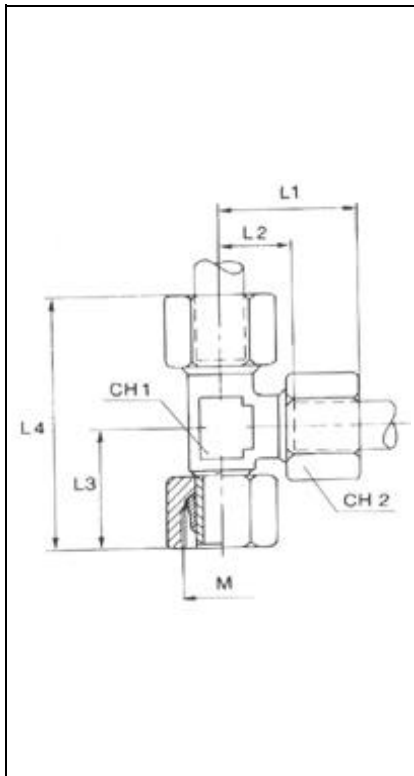
GOMITO A CODOLO
METRIC TAIL ELBOW



Codice <i>Part Number</i>	Caratteristiche tecniche <i>Technical data</i>				
	Serie	M	Dia	CH1	Bar
BL1Y2S-0612L	L	12x1,5	6	12	315
BL1Y2S-0814L	L	14x1,5	8	12	315
BL1Y2S-1016L	L	16x1,5	10	14	315
BL1Y2S-1218L	L	18x1,5	12	17	315
BL1Y2S-1522L	L	22x1,5	15	19	315
BL1Y2S-1826L	L	26x1,5	18	24	315
BL1Y2S-2230L	L	30x2	22	27	160
BL1Y2S-2836L	L	36x2	28	36	160
BL1Y2S-3545L	L	45x2	35	41	160
BL1Y2S-4252L	L	52x2	42	50	160
BL1Y2S-0614S	S	14x1,5	6	12	630
BL1Y2S-0816S	S	16x1,5	8	14	630
BL1Y2S-1018S	S	18x1,5	10	17	630
BL1Y2S-1220S	S	20x1,5	12	17	630
BL1Y2S-1422S	S	22x1,5	14	19	630
BL1Y2S-1624S	S	24x1,5	16	24	400
BL1Y2S-2030S	S	30x2	20	27	400
BL1Y2S-2536S	S	36x2	25	36	400
BL1Y2S-3042S	S	42x2	30	41	400
BL1Y2S-3852S	S	52x2	38	50	315

SERIE BY1Y2SL

TEE A CODOLO LATERALE PREMONTATO
METRIC PRE-MOUNTED LATERAL TAIL UNION TEE

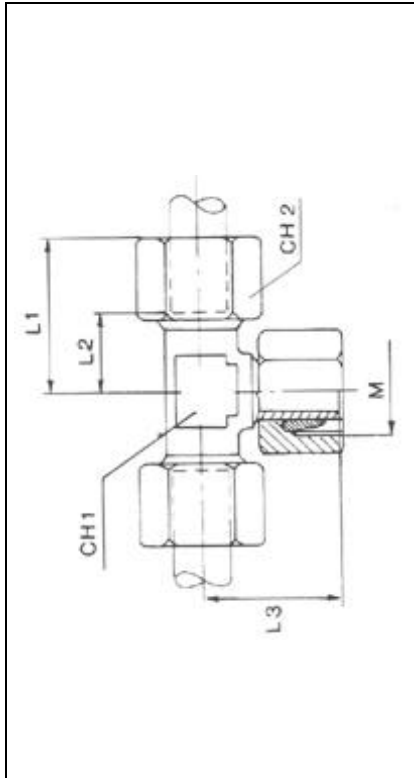


Codice <i>Part Number</i>	Caratteristiche tecniche <i>Technical data</i>				
	Serie	M	Dia	CH1	Bar
BY1Y2SL-0612L	L	12x1,5	6	12	315
BY1Y2SL-0814L	L	14x1,5	8	12	315
BY1Y2SL-1016L	L	16x1,5	10	14	315
BY1Y2SL-1218L	L	18x1,5	12	17	315
BY1Y2SL-1522L	L	22x1,5	15	19	315
BY1Y2SL-1826L	L	26x1,5	18	24	315
BY1Y2SL-2230L	L	30x2	22	27	160
BY1Y2SL-2836L	L	36x2	28	36	160
BY1Y2SL-3545L	L	45x2	35	41	160
BY1Y2SL-4252L	L	52x2	42	50	160
BY1Y2SL-0614S	S	14x1,5	6	12	630
BY1Y2SL-0816S	S	16x1,5	8	14	630
BY1Y2SL-1018S	S	18x1,5	10	17	630
BY1Y2SL-1220S	S	20x1,5	12	17	630
BY1Y2SL-1422S	S	22x1,5	14	19	630
BY1Y2SL-1624S	S	24x1,5	16	24	400
BY1Y2SL-2030S	S	30x2	20	27	400
BY1Y2SL-2536S	S	36x2	25	36	400
BY1Y2SL-3042S	S	42x2	30	41	400
BY1Y2SL-3852S	S	52x2	38	50	315

SERIE BY1Y2SC

TEE A CODOLO CENTRALE PREMONTATO

METRIC PRE-MOUNTED CENTRAL TAIL UNION TEE

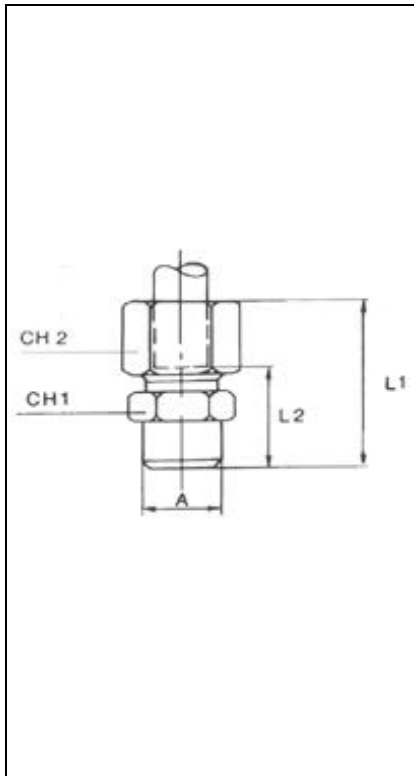


Codice Part Number	Caratteristiche tecniche Technical data				
	Serie	M	Dia	CH1	Bar
BY1Y2SC-0612L	L	12x1,5	6	12	315
BY1Y2SC-0814L	L	14x1,5	8	12	315
BY1Y2SC-1016L	L	16x1,5	10	14	315
BY1Y2SC-1218L	L	18x1,5	12	17	315
BY1Y2SC-1522L	L	22x1,5	15	19	315
BY1Y2SC-1826L	L	26x1,5	18	24	315
BY1Y2SC-2230L	L	30x2	22	27	160
BY1Y2SC-2836L	L	36x2	28	36	160
BY1Y2SC-3545L	L	45x2	35	41	160
BY1Y2SC-4252L	L	52x2	42	50	160
BY1Y2SC-0614S	S	14x1,5	6	12	630
BY1Y2SC-0816S	S	16x1,5	8	14	630
BY1Y2SC-1018S	S	18x1,5	10	17	630
BY1Y2SC-1220S	S	20x1,5	12	17	630
BY1Y2SC-1422S	S	22x1,5	14	19	630
BY1Y2SC-1624S	S	24x1,5	16	24	400
BY1Y2SC-2030S	S	30x2	20	27	400
BY1Y2SC-2536S	S	36x2	25	36	400
BY1Y2SC-3042S	S	42x2	30	41	400
BY1Y2SC-3852S	S	52x2	38	50	315

SERIE BN1YW

TERMINALE DIRITTO A SALDARE

WELD IN STRAIGHT TIP FITTING

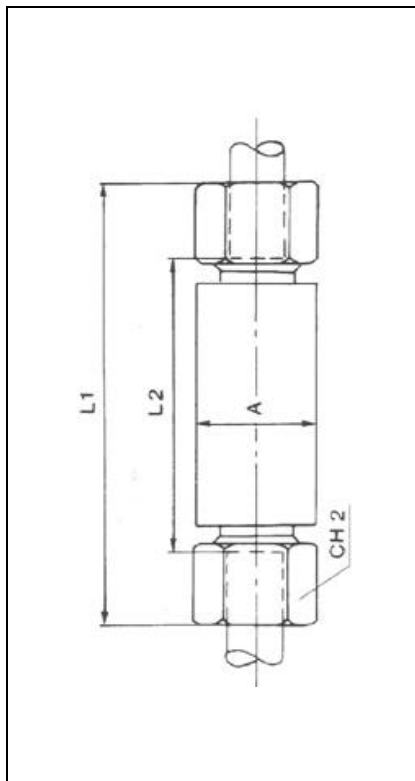


Codice Part Number	Caratteristiche tecniche Technical data				
	Serie	A	Dia	CH1	Bar
BN1YW-0610L	L	10	6	12	315
BN1YW-0812L	L	12	8	14	315
BN1YW-1014L	L	14	10	17	315
BN1YW-1216L	L	16	12	19	315
BN1YW-1519L	L	19	15	22	315
BN1YW-1822L	L	22	18	27	315
BN1YW-2227L	L	27	22	32	160
BN1YW-2832L	L	32	28	41	160
BN1YW-3540L	L	40	35	46	160
BN1YW-4246L	L	46	42	55	160
BN1YW-0611S	S	11	6	14	630
BN1YW-0813S	S	13	8	17	630
BN1YW-1015S	S	15	10	19	630
BN1YW-1217S	S	17	12	22	630
BN1YW-1419S	S	19	14	24	630
BN1YW-1621S	S	21	16	27	400
BN1YW-2026S	S	26	20	32	400
BN1YW-2531S	S	31	25	41	400
BN1YW-3036S	S	36	30	46	400
BN1YW-3844S	S	44	38	55	315

SERIE BK1Y

PASSANTE PARATIA A SALDARE

WELD IN BULKHEAD PASSERBY

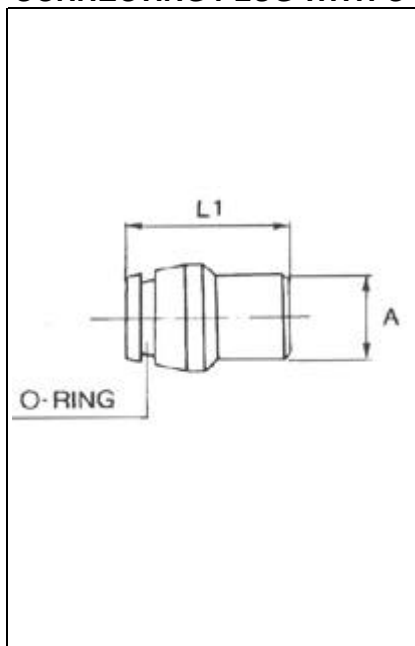


Codice <i>Part Number</i>	Caratteristiche tecniche <i>Technical data</i>				
	Serie	A	Dia	L1	Bar
BK1Y-0618L	L	18	6	85	315
BK1Y-0820L	L	20	8	85	315
BK1Y-1022L	L	22	10	87	315
BK1Y-1225L	L	25	12	87	315
BK1Y-1528L	L	28	15	100	315
BK1Y-1832L	L	32	18	101	315
BK1Y-2236L	L	36	22	105	160
BK1Y-2840L	L	40	28	106	160
BK1Y-3550L	L	50	35	114	160
BK1Y-4260L	L	60	42	115	160
BK1Y-0620S	S	20	6	89	630
BK1Y-0822S	S	22	8	89	630
BK1Y-1025S	S	25	10	91	630
BK1Y-1228S	S	28	12	91	630
BK1Y-1430S	S	30	14	107	630
BK1Y-1635S	S	35	16	107	400
BK1Y-2038S	S	38	20	114	400
BK1Y-2545S	S	45	25	120	400
BK1Y-3050S	S	50	30	126	400
BK1Y-3860S	S	60	38	133	315

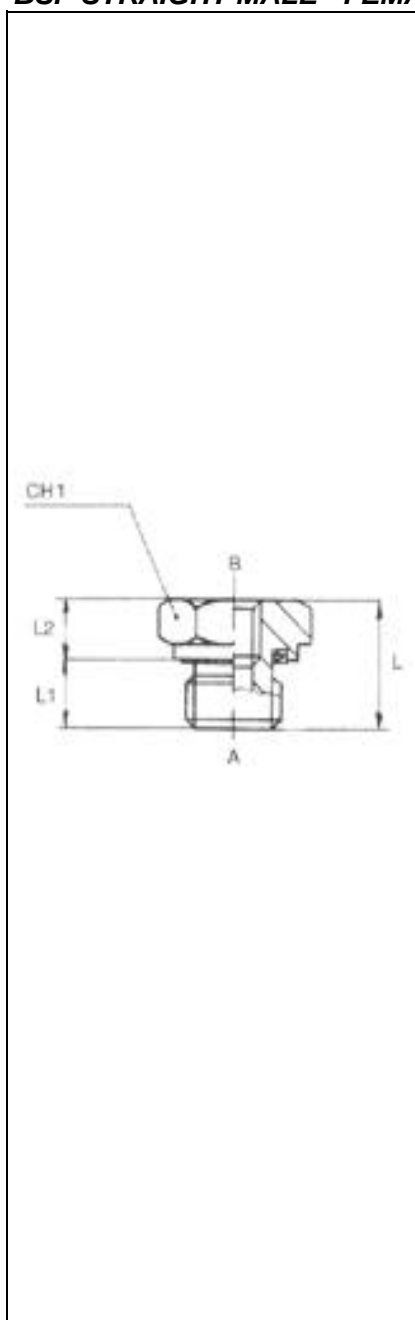
SERIE BT1YG

TAPPO CONNESSIONE TUBO CON O-RING

CONNECTING PLUG WITH O-RING



Codice <i>Part Number</i>	Caratteristiche tecniche <i>Technical data</i>				
	Serie	O-ring	Dia	L1	Bar
BT1YG-06L	L	4x1,5	6	17	315
BT1YG-08L	L	6x1,5	8	17	315
BT1YG-10L	L	7,5x1,5	10	20	315
BT1YG-12L	L	9x1,5	12	21	315
BT1YG-15L	L	12x2	15	21	315
BT1YG-18L	L	15x2	18	23	315
BT1YG-22L	L	20x2	22	23	160
BT1YG-28L	L	26x2	28	25	160
BT1YG-35L	L	32x2,5	35	29	160
BT1YG-42L	L	38x2,5	42	30	160
BT1YG-14S	S	10x2	14	23	630
BT1YG-16S	S	12x2	16	24	400
BT1YG-20S	S	16,3x2,4	20	28	400
BT1YG-25S	S	20,3x2,4	25	31	400
BT1YG-30S	S	25,3x2,4	30	34	400
BT1YG-38S	S	33,3x2,4	38	38	315

SERIE BR1Y11MFG**RIDUZIONE MASCHIO - FEMMINA GAS CIL. CON GUARNIZIONE PIANA**
BSP STRAIGHT MALE - FEMALE REDUCTION WITH SEAL

Codice Part Number	Caratteristiche tecniche Technical data				
	A	B	L	CH1	Bar
BR1Y11MFG-0204	1/8	1/4	31	19	630
BR1Y11MFG-0206	1/8	3/8	32	24	630
BR1Y11MFG-0402	1/4	1/8	28	19	630
BR1Y11MFG-0406	1/4	3/8	36	24	630
BR1Y11MFG-0408	1/4	1/2	40	30	630
BR1Y11MFG-0412	1/4	3/4	43	36	630
BR1Y11MFG-0602	3/8	1/8	22,5	22	630
BR1Y11MFG-0604	3/8	1/4	36	22	630
BR1Y11MFG-0608	3/8	1/2	41	30	630
BR1Y11MFG-0802	1/2	1/8	24	27	630
BR1Y11MFG-0804	1/2	1/4	24	27	630
BR1Y11MFG-0806	1/2	3/8	36	27	630
BR1Y11MFG-0612	3/8	3/4	44	36	400
BR1Y11MFG-0812	1/2	3/4	46	36	400
BR1Y11MFG-0816	1/2	1"	49	41	400
BR1Y11MFG-0820	1/2	1"1/4	53	55	400
BR1Y11MFG-1204	3/4	1/4	26	32	400
BR1Y11MFG-1206	3/4	3/8	26	32	400
BR1Y11MFG-1208	3/4	1/2	41	32	400
BR1Y11MFG-1216	3/4	1"	51	41	400
BR1Y11MFG-1220	3/4	1"1/4	55	55	400
BR1Y11MFG-1604	1"	1/4	29	41	400
BR1Y11MFG-1606	1"	3/8	29	41	400
BR1Y11MFG-1608	1"	1/2	29	41	400
BR1Y11MFG-1612	1"	3/4	47	41	400
BR1Y11MFG-1620	1"	1"1/4	57	55	400
BR1Y11MFG-2008	1"1/4	1/2	32	50	400
BR1Y11MFG-2012	1"1/4	3/4	32	50	400
BR1Y11MFG-2016	1"1/4	1"	52	50	400
BR1Y11MFG-1224	3/4	1"1/2	57	60	315
BR1Y11MFG-1624	1"	1"1/2	59	60	315
BR1Y11MFG-2024	1"1/4	1"1/2	60	60	315
BR1Y11MFG-2408	1"1/2	1/2	36	55	315
BR1Y11MFG-2412	1"1/2	3/4	36	55	315
BR1Y11MFG-2416	1"1/2	1"	36	55	315
BR1Y11MFG-2420	1"1/2	1"1/4	58	55	315