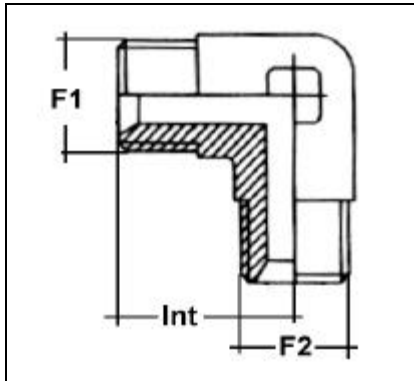


SERIE BL111MM9

GOMITO 90° MASCHIO CILINDRICO GAS - 90° ELBOW BSP STRAIGHT MALE

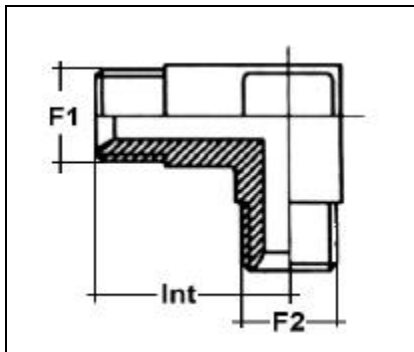


Codice Part Number	Dimensioni Dimensions				
	F1	F2	Ch	Int	
BL111MM9-0202	1/8	1/8	11	20	
BL111MM9-0404	1/4	1/4	14	27	
BL111MM9-0606	3/8	3/8	19	30	
BL111MM9-0808	1/2	1/2	22	37	
BL111MM9-1212	3/4	3/4	27	40	
BL111MM9-1616	1"	1"	33	48	
BL111MM9-2020	1"1/4	1"1/4	41	52	
BL111MM9-2424	1"1/2	1"1/2	48	59	
BL111MM9-3232	2"	2"	-	-	

SERIE BL161MM9

GOMITO 90° MASCHIO CONICO - MASCHIO CILINDRICO GAS

90° ELBOW BSP TAPERED MALE - STRAIGHT MALE

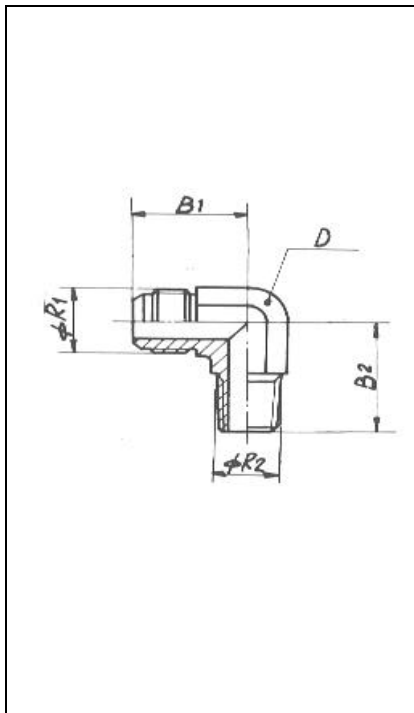


Codice Part Number	Dimensioni Dimensions				
	F1	F2	Ch	Int	
BL161MM9-0202	1/8	1/8	11	20	
BL161MM9-0404	1/4	1/4	14	27	
BL161MM9-0606	3/8	3/8	19	30	
BL161MM9-0808	1/2	1/2	22	37	
BL161MM9-1212	3/4	3/4	27	40	
BL161MM9-1616	1"	1"	33	48	
BL161MM9-2020	1"1/4	1"1/4	41	52	
BL161MM9-2424	1"1/2	1"1/2	48	59	

SERIE BL135MM9

GOMITO 90° MASCHIO JIC - MASCHIO CONICO NPT

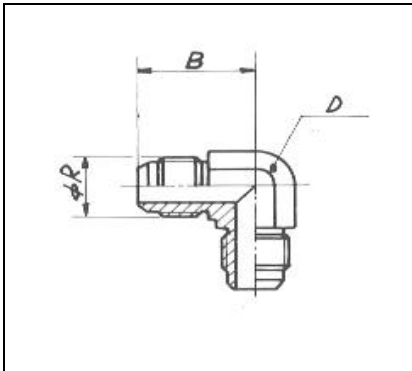
90° ELBOW JIC MALE - NPT TAPERED MALE



Codice Part Number	Dimensioni Dimensions				
	R1	R2	B1	B2	D
BL135MM9-0402	7/16	1/8 NPT	22,6	19,8	11
BL135MM9-0404	7/16	1/4 NPT	26,9	27,7	14
BL135MM9-0502	1/2	1/8 NPT	24,1	19,8	13
BL135MM9-0504	1/2	1/4 NPT	26,9	27,7	14
BL135MM9-0604	9/16	1/4 NPT	26,9	27,7	14
BL135MM9-0606	9/16	3/8 NPT	29	31	19
BL135MM9-0608	9/16	1/2 NPT	31,2	37,3	22
BL135MM9-0804	3/4	1/4 NPT	31,8	31	19
BL135MM9-0806	3/4	3/8 NPT	31,8	31	19
BL135MM9-0808	3/4	1/2 NPT	33,7	37,3	22
BL135MM9-1006	7/8	3/8 NPT	36,8	33	22
BL135MM9-1008	7/8	1/2 NPT	36,8	37,3	22
BL135MM9-1012	7/8	3/4 NPT	38,9	40,4	27
BL135MM9-1208	1"1/16	1/2 NPT	42,2	40,4	27
BL135MM9-1212	1"1/16	3/4 NPT	42,2	40,4	27
BL135MM9-1612	1"5/16	3/4 NPT	46	45,2	33
BL135MM9-1616	1"5/16	1" NPT	46	50	33
BL135MM9-2016	1"5/8	1" NPT	52,3	59,6	41
BL135MM9-2020	1"5/8	1"1/4 NPT	52,3	60,5	41
BL135MM9-2424	1"7/8	1"1/2 NPT	59,2	67,1	48

SERIE BL133MM9

GOMITO 90° MASCHIO JIC - 90° ELBOW JIC MALE

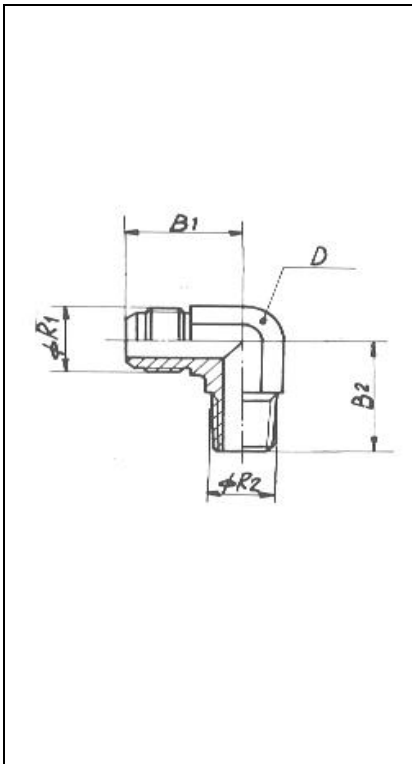


Codice Part Number	Dimensioni Dimensions				
	R		B	D	
BL133MM9-0404	7/16		22,6	11	
BL133MM9-0505	1/2		24,1	13	
BL133MM9-0606	9/16		26,9	14	
BL133MM9-0808	3/4		31,8	19	
BL133MM9-1010	7/8		36,8	22	
BL133MM9-1212	1"1/16		42,2	27	
BL133MM9-1616	1"5/16		46	33	
BL133MM9-2020	1"5/8		52,3	41	
BL133MM9-2424	1"7/8		59,2	48	

SERIE BL136MM9

GOMITO 90° MASCHIO JIC - MASCHIO CONICO GAS

90° ELBOW JIC MALE - BSP TAPERED MALE

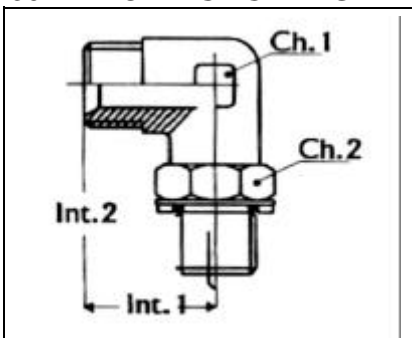


Codice Part Number	Dimensioni Dimensions				
	R1	R2	B1	B2	D
BL136MM9-0402	7/16	1/8	22,6	19,8	11
BL136MM9-0404	7/16	1/4	26,9	27,7	14
BL136MM9-0406	7/16	3/8	-	-	-
BL136MM9-0502	1/2	1/8	24,1	19,8	13
BL136MM9-0504	1/2	1/4	26,9	27,7	14
BL136MM9-0604	9/16	1/4	26,9	27,7	14
BL136MM9-0606	9/16	3/8	29	31	19
BL136MM9-0608	9/16	1/2	31,2	37,3	22
BL136MM9-0804	3/4	1/4	31,8	31	19
BL136MM9-0806	3/4	3/8	31,8	31	19
BL136MM9-0808	3/4	1/2	33,7	37,3	22
BL136MM9-1006	7/8	3/8	36,8	33	22
BL136MM9-1008	7/8	1/2	36,8	37,3	22
BL136MM9-1012	7/8	3/4	38,9	40,4	27
BL136MM9-1208	1"1/16	1/2	42,2	40,4	27
BL136MM9-1212	1"1/16	3/4	42,2	40,4	27
BL136MM9-1216	1"1/16	1"	-	-	-
BL136MM9-1612	1"5/16	3/4	46	45,2	33
BL136MM9-1616	1"5/16	1"	46	50	33
BL136MM9-2016	1"5/8	1"	52,3	59,6	41
BL136MM9-2020	1"5/8	1"1/4	52,3	60,5	41
BL136MM9-2424	1"7/8	1"1/2	59,2	67,1	48

SERIE BL111MR9

GOMITO 90° MASCHIO CILINDRICO - MASCHIO ORIENTABILE GAS

90° ELBOW BSP STRAIGHT MALE - ROTARY MALE

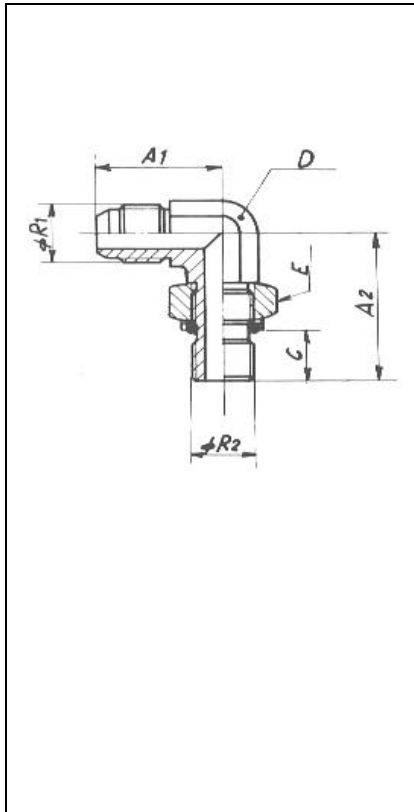


Codice Part Number	Dimensioni Dimensions				
	F1	Ch1	Ch2	Int.1	Int.2
BL111MR9-0202	1/8	11	14	20	26
BL111MR9-0404	1/4	14	19	27	32
BL111MR9-0606	3/8	19	22	30	37
BL111MR9-0808	1/2	22	27	37	43
BL111MR9-1212	3/4	27	36	40	49,5
BL111MR9-1616	1"	33	41	48	52
BL111MR9-2020	1"1/4	41	50	52	57
BL111MR9-2424	1"1/2	48	55	59	60,5

SERIE BL131MR9

GOMITO 90° MASCHIO JIC - MASCHIO ORIENTABILE GAS

90° ELBOW JIC MALE - BSP ROTARY MALE

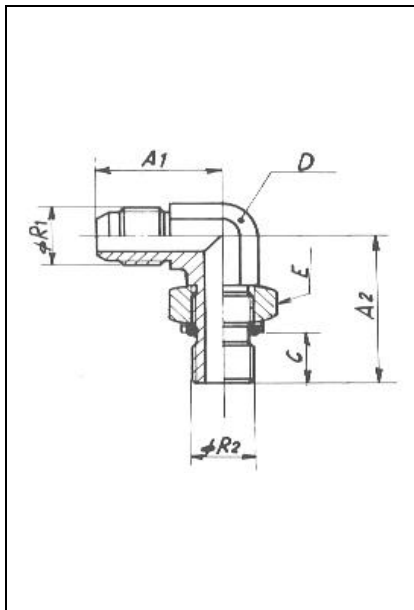


Codice Part Number	Dimensioni Dimensions				
	R1	R2	A1	A2	D
BL131MR9-0402	7/16	1/8	22,6	26	11
BL131MR9-0404	7/16	1/4	26,9	32	14
BL131MR9-0504	1/2	1/4	26,9	33	14
BL131MR9-0604	9/16	1/4	26,9	32	14
BL131MR9-0606	9/16	3/8	29	37	19
BL131MR9-0608	9/16	1/2	-	-	-
BL131MR9-0804	3/4	1/4	31,8	37	19
BL131MR9-0806	3/4	3/8	31,8	37	19
BL131MR9-0808	3/4	1/2	33,7	43	22
BL131MR9-0812	3/4	3/4	-	-	-
BL131MR9-1006	7/8	3/8	36,8	43	22
BL131MR9-1008	7/8	1/2	36,8	43	22
BL131MR9-1012	7/8	3/4	36,8	49,5	27
BL131MR9-1208	1"1/16	1/2	42,2	49,5	27
BL131MR9-1212	1"1/16	3/4	42,2	49,5	27
BL131MR9-1612	1"5/16	3/4	46	52	33
BL131MR9-1616	1"5/16	1"	46	52	33
BL131MR9-1620	1"5/16	1"1/4	50	57	41
BL131MR9-2016	1"5/8	1"	52,3	57	41
BL131MR9-2020	1"5/8	1"1/4	52,3	57	41
BL131MR9-2424	1"7/8	1"1/2	59,2	60,5	48

SERIE BL138MR9

GOMITO 90° MASCHIO JIC - MASCHIO ORIENTABILE SAE

90° ELBOW JIC MALE - SAE ROTARY MALE

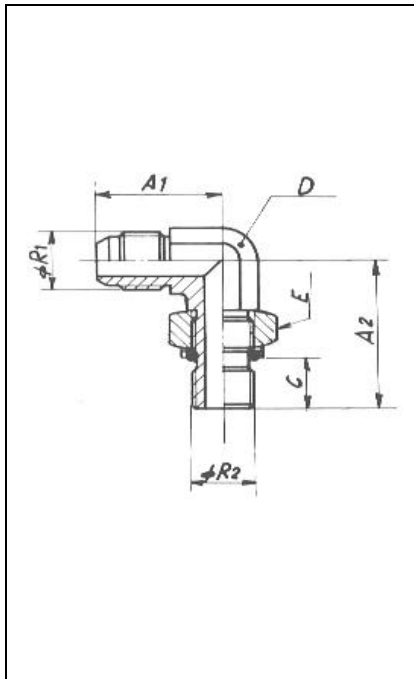


Codice Part Number	Dimensioni Dimensions				
	F1	F2	A1	A2	D
BL138MR9-0404	7/16	7/16	22,6	26,2	11
BL138MR9-0505	1/2	1/2	24,1	27,7	13
BL138MR9-0606	9/16	9/16	26,9	31,8	14
BL138MR9-0608	9/16	3/4	-	-	-
BL138MR9-0808	3/4	3/4	31,8	36,8	19
BL138MR9-0810	3/4	7/8	34	43,2	22
BL138MR9-1010	7/8	7/8	36,8	43,2	22
BL138MR9-1210	1"1/16	7/8	42,2	45,2	27
BL138MR9-1212	1"1/16	1"1/16	42,2	49,3	27
BL138MR9-1612	1"5/16	1"1/16	46	52,1	33
BL138MR9-1616	1"5/16	1"5/16	46	52,1	33
BL138MR9-2020	1"5/8	1"5/8	52,3	57,2	41
BL138MR9-2024	1"5/8	1"7/8	-	-	-
BL138MR9-2420	1"7/8	1"5/8	-	-	-
BL138MR9-2424	1"7/8	1"7/8	59,2	60,7	48

SERIE BL132MR9

GOMITO 90° MASCHIO JIC - MASCHIO ORIENTABILE METRICO

90° ELBOW JIC MALE - METRIC ROTARY MALE

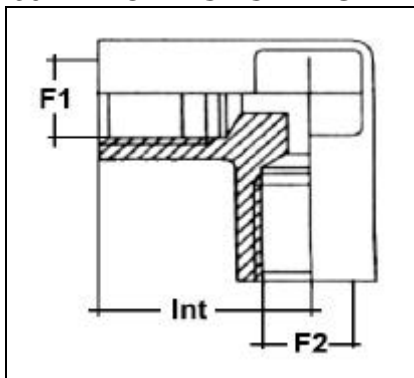


Codice Part Number	Dimensioni Dimensions				
	R1	R2	A1	A2	D
BL132MR9-0402	7/16	10 x 1	22,6	27	11
BL132MR9-0403	7/16	12 x 1,5	-	-	-
BL132MR9-0404	7/16	14 x 1,5	-	-	-
BL132MR9-0503	1/2	12 x 1,5	24,1	30,5	13
BL132MR9-0604	9/16	14 x 1,5	26,9	33,5	14
BL132MR9-0804	3/4	14 x 1,5	-	-	-
BL132MR9-0805	3/4	16 x 1,5	31,8	38	19
BL132MR9-0806	3/4	18 x 1,5	-	-	-
BL132MR9-0808	3/4	22 x 1,5	-	-	-
BL132MR9-1006	7/8	18 x 1,5	36,8	41	22
BL132MR9-1007	7/8	20 x 1,5	-	-	-
BL132MR9-1008	7/8	22 x 1,5	36,8	42,5	22
BL132MR9-1012	7/8	26 x 1,5	-	-	-
BL132MR9-1208	1"1/16	22 x 1,5	42,2	44	27
BL132MR9-1214	1"1/16	27 x 2	42,2	51	27
BL132MR9-1616	1"5/16	33 x 2	-	-	-
BL132MR9-2020	1"5/8	42 x 2	52,3	58	41

SERIE BL111FF9

GOMITO 90° FEMMINA - FEMMINA GAS

90° ELBOW BSP STRAIGHT FEMALE

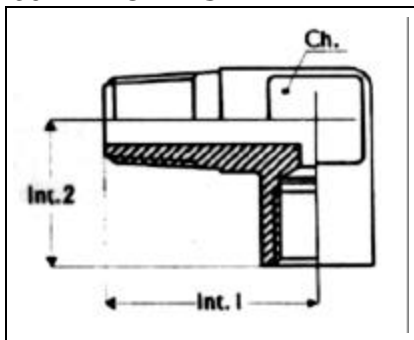


Codice Part Number	Dimensioni Dimensions				
	F1	F2	Ch	Int	
BL111FF9-0202	1/8	1/8	-	-	
BL111FF9-0404	1/4	1/4	19	22	
BL111FF9-0606	3/8	3/8	22	26	
BL111FF9-0808	1/2	1/2	27	31	
BL111FF9-1212	3/4	3/4	33	35	
BL111FF9-1616	1"	1"	41	44	
BL111FF9-2020	1"1/4	1"1/4	48	50	
BL111FF9-2424	1"1/2	1"1/2	58	54	

SERIE BL161MF9

GOMITO 90° MASCHIO CONICO - FEMMINA GAS

90° ELBOW BSP TAPERED MALE - STRAIGHT FEMALE

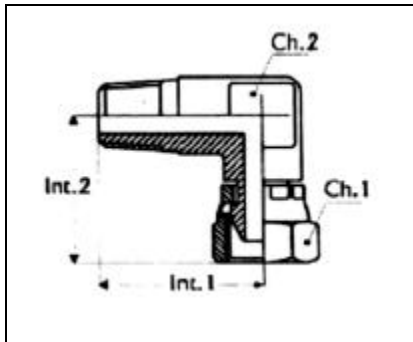


Codice Part Number	Dimensioni Dimensions				
	F1	F2	Ch	Int.1	Int.2
BL161MF9-0202	1/8	1/8	14	21	17
BL161MF9-0404	1/4	1/4	19	29	17
BL161MF9-0606	3/8	3/8	22	33	27
BL161MF9-0808	1/2	1/2	27	38	31
BL161MF9-1212	3/4	3/4	33	41	36
BL161MF9-1616	1"	1"	41	58	46
BL161MF9-2020	1"1/4	1"1/4	-	-	-

SERIE BL161MS9

GOMITO 90° MASCHIO CONICO - FEMMINA GIREVOLE GAS

90° ELBOW BSP TAPERED MALE - SWIVEL FEMALE

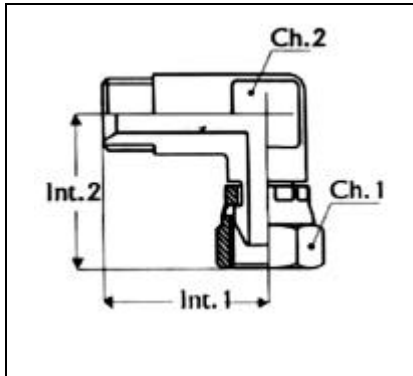


Codice Part Number	Dimensioni Dimensions				
	F1	Ch1	Ch2	Int.1	Int.2
BL161MS9-0202	1/8	15	12	20	25
BL161MS9-0404	1/4	19	14	29	35
BL161MS9-0606	3/8	22	20	30	35
BL161MS9-0808	1/2	27	22	37	40
BL161MS9-1212	3/4	32	27	40	44
BL161MS9-1616	1"	41	33	50	50
BL161MS9-2020	1"1/4	50	41	52	60

SERIE BL111MS9

GOMITO 90° MASCHIO CILINDRICO - FEMMINA GIREVOLE GAS

90° ELBOW BSP MALE - SWIVEL FEMALE

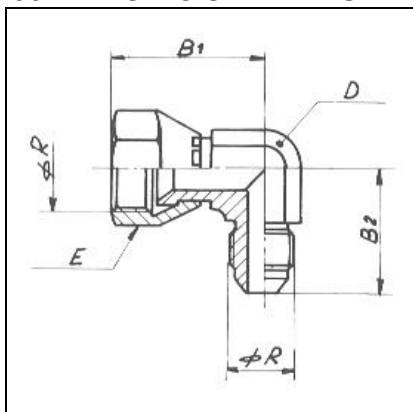


Codice Part Number	Dimensioni Dimensions				
	F1	Ch1	Ch2	Int.1	Int.2
BL111MS9-0202	1/8	14	11	20	23,5
BL111MS9-0404	1/4	18	14	27	29
BL111MS9-0606	3/8	22	19	30	34
BL111MS9-0808	1/2	27	22	37	40
BL111MS9-1212	3/4	32	27	40	46
BL111MS9-1616	1"	38	33	48	50
BL111MS9-2020	1"1/4	50	41	52	54
BL111MS9-2424	1"1/2	60	48	59	65

SERIE BL133SM9

GOMITO 90° MASCHIO - FEMMINA GIREVOLE JIC

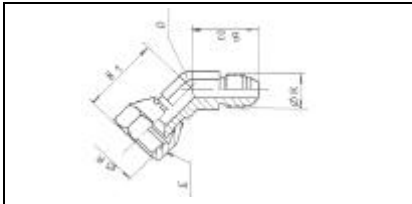
90° ELBOW JIC MALE - SWIVEL FEMALE



Codice Part Number	Dimensioni Dimensions				
	R	B1	B2	D	E
BL133SM9-0404	7/16	25,4	22,6	11	16
BL133SM9-0505	1/2	26,9	24,1	13	16
BL133SM9-0606	9/16	31,8	26,9	14	19
BL133SM9-0808	3/4	35,1	31,8	19	22
BL133SM9-1010	7/8	41,1	36,8	22	27
BL133SM9-1212	1"1/16	44,4	42,2	27	32
BL133SM9-1616	1"5/16	50,8	46	33	38
BL133SM9-2020	1"5/8	58,7	52,3	41	50
BL133SM9-2424	1"7/8	65,8	59,2	48	60

SERIE BL133SM4

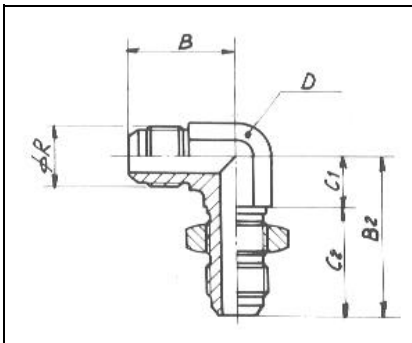
GOMITO 45° MASCHIO - FEMMINA GIREVOLE JIC
45° ELBOW JIC MALE - SWIVEL FEMALE



Codice Part Number	Dimensioni Dimensions				
	F1	F2	B1	B2	D
BL133SM4-0606	9/16	9/16	28,4	21,1	14
BL133SM4-0808	3/4	3/4	32,5	24,9	19

SERIE BL133MK9

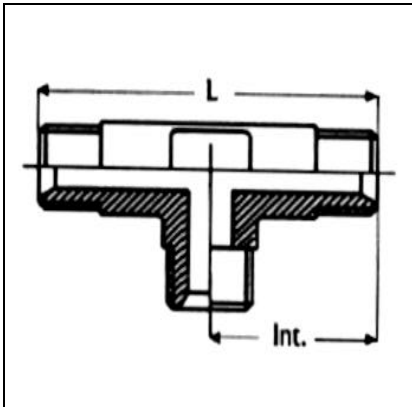
GOMITO 90° MASCHIO - PASSAPARETE JIC
90° ELBOW JIC MALE - BULKHEAD UNION



Codice Part Number	Dimensioni Dimensions				
	R	R	B	B2	D
BL133MK9-0404	7/16	7/16	24,6	40,4	11
BL133MK9-0505	1/2	1/2	26,2	41,1	13
BL133MK9-0606	9/16	9/16	27,7	46	14
BL133MK9-0808	3/4	3/4	34,5	53,6	19
BL133MK9-1010	7/8	7/8	39,6	60,7	22
BL133MK9-1212	1"1/16	1"1/16	45,2	67,8	27
BL133MK9-1616	1"5/16	1"5/16	49,3	71,1	33

SERIE BY1111MMM

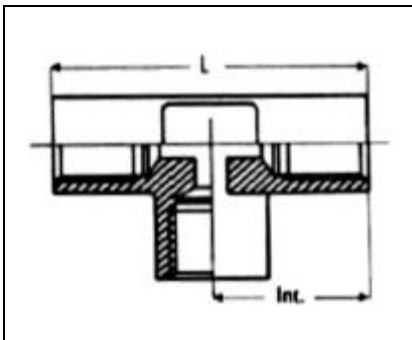
TEE MASCHIO GAS
BSP UNION TEE MALE



Codice Part Number	Dimensioni Dimensions				
	F1	F2	L	Ch	Int
BY1111MMM-02	1/8	1/8	40	11	20
BY1111MMM-04	1/4	1/4	54	14	27
BY1111MMM-06	3/8	3/8	60	19	30
BY1111MMM-08	1/2	1/2	74	22	37
BY1111MMM-12	3/4	3/4	80	27	40
BY1111MMM-16	1"	1"	96	33	48
BY1111MMM-20	1"1/4	1"1/4	104	41	52
BY1111MMM-24	1"1/2	1"1/2	118	48	59
BY1111MMM-32	2"	2"	-	-	-

SERIE BY1111FFF

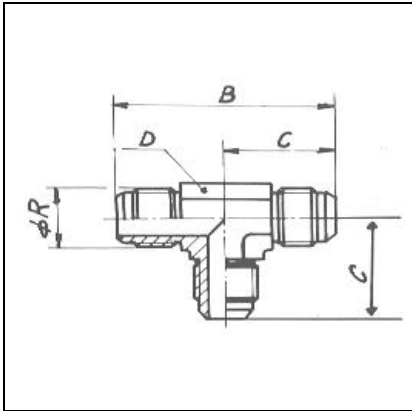
TEE FEMMINA GAS
BSP UNION TEE FEMALE



Codice Part Number	Dimensioni Dimensions				
	F1	F2	L	Ch	Int
BY1111FFF-04	1/4	1/4	44	19	22
BY1111FFF-06	3/8	3/8	52	22	26
BY1111FFF-08	1/2	1/2	62	27	31
BY1111FFF-12	3/4	3/4	70	33	35
BY1111FFF-16	1"	1"	88	41	44
BY1111FFF-20	1"1/4	1"1/4	100	48	50
BY1111FFF-24	1"1/2	1"1/2	108	58	54

SERIE BY1333MMM

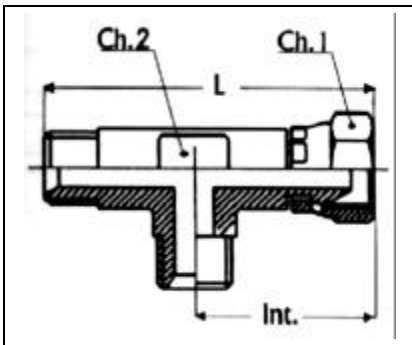
TEE MASCHIO JIC
JIC UNION TEE MALE



Codice Part Number	Dimensioni Dimensions				
	R		B	C	D
BY1333MMM-04	7/16		45,2	22,6	11
BY1333MMM-04	1/2		48,2	24,1	13
BY1333MMM-04	9/16		53,8	26,9	14
BY1333MMM-04	3/4		63,6	31,8	19
BY1333MMM-04	7/8		73,6	36,8	22
BY1333MMM-04	1"1/16		84,4	42,2	27
BY1333MMM-04	1"5/16		92	46	33
BY1333MMM-04	1"5/8		104,6	52,3	41
BY1333MMM-04	1"7/8		118,4	59,2	48

SERIE BY1111MMS

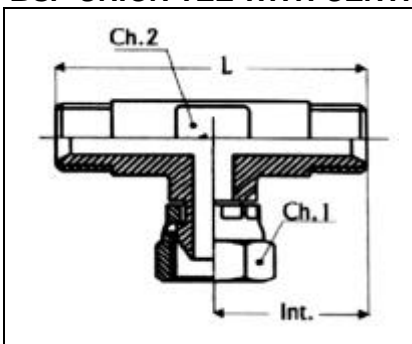
TEE MASCHIO FEMMINA GIREVOLE LATERALE GAS
BSP UNION TEE WITH SIDE SWIVEL FEMALE



Codice Part Number	Dimensioni Dimensions				
	F1	F2	L	Ch1	Ch2
BY1111MMS-04	1/4	1/4	56	18	14
BY1111MMS-06	3/8	3/8	64	22	19
BY1111MMS-08	1/2	1/2	77	27	22
BY1111MMS-12	3/4	3/4	86	32	27
BY1111MMS-16	1"	1"	98	38	33
BY1111MMS-20	1"1/4	1"1/4	106	50	41
BY1111MMS-24	1"1/2	1"1/2	124	60	48

SERIE BY1111MSM

TEE MASCHIO FEMMINA GIREVOLE CENTRALE GAS
BSP UNION TEE WITH CENTRAL SWIVEL FEMALE

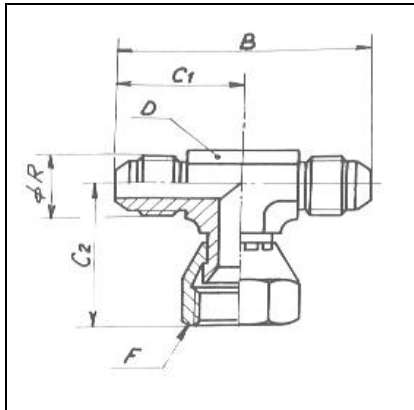


Codice Part Number	Dimensioni Dimensions				
	F1	L	Ch1	Ch2	Int
BY1111MSM-04	1/4	54	18	14	27
BY1111MSM-06	3/8	60	22	19	30
BY1111MSM-08	1/2	74	27	22	37
BY1111MSM-12	3/4	80	32	27	40
BY1111MSM-16	1"	96	38	33	48
BY1111MSM-20	1"1/4	104	50	41	52
BY1111MSM-24	1"1/2	118	60	48	59

SERIE BY1333MSM

TEE MASCHIO FEMMINA GIREVOLE CENTRALE JIC

JIC UNION TEE WITH CENTRAL SWIVEL FEMALE

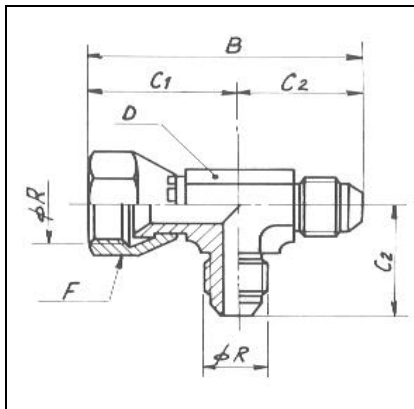


Codice Part Number	Dimensioni Dimensions				
	R	B	C1	C2	D
BY1333MSM-04	7/16	45,2	22,6	25,4	11
BY1333MSM-05	1/2	48,2	24,1	26,9	13
BY1333MSM-06	9/16	53,8	26,9	31,8	14
BY1333MSM-08	3/4	63,6	31,8	35,1	19
BY1333MSM-10	7/8	73,6	36,8	41,1	22
BY1333MSM-12	1"1/16	84,4	44,4	44,4	27
BY1333MSM-16	1"5/16	92	50,8	50,8	33
BY1333MSM-20	1"5/8	104,6	58,7	58,7	41
BY1333MSM-24	1"7/8	-	-	-	-

SERIE BY1333SMM

TEE MASCHIO FEMMINA GIREVOLE LATERALE JIC

JIC UNION TEE WITH SIDE SWIVEL FEMALE

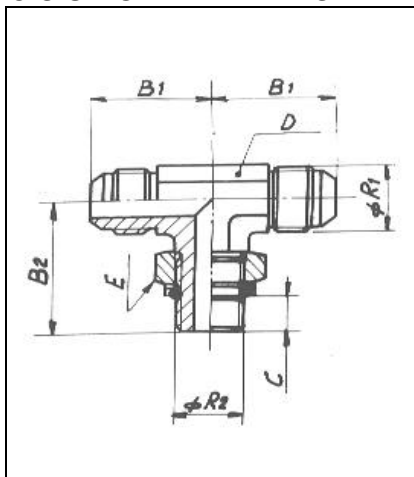


Codice Part Number	Dimensioni Dimensions				
	R	B	C1	C2	D
BY1333SMM-04	7/16	48	25,4	22,6	11
BY1333SMM-05	1/2	51	26,9	24,1	13
BY1333SMM-06	9/16	58,7	31,8	26,9	14
BY1333SMM-08	3/4	66,9	35,1	31,8	19
BY1333SMM-10	7/8	77,9	41,1	36,8	22
BY1333SMM-12	1"1/16	86,6	44,4	42,2	27
BY1333SMM-16	1"5/16	96,8	50,8	46	33
BY1333SMM-20	1"5/8	111	58,7	52,3	41
BY1333SMM-24	1"7/8	-	-	-	-

SERIE BY1313MRM

TEE MASCHIO JIC - MASCHIO ORIENTABILE CENTRALE GAS

JIC UNION TEE WITH CENTRAL BSP ROTARY MALE

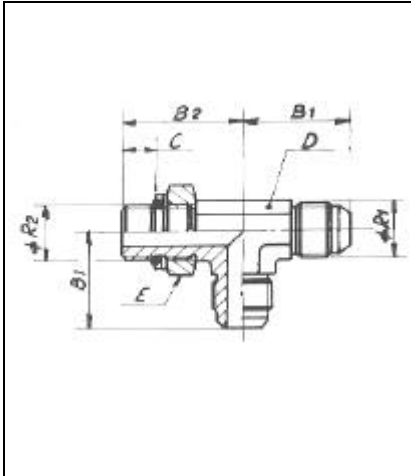


Codice Part Number	Dimensioni Dimensions				
	R1	R2	B1	B2	D
BY1313MRM-0402	7/16	1/8	22,6	26	11
BY1313MRM-0502	1/2	1/8	24,1	26	13
BY1313MRM-0604	9/16	1/4	26,9	32	14
BY1313MRM-0606	9/16	3/8	29	37	19
BY1313MRM-0806	3/4	3/8	31,8	37	19
BY1313MRM-0808	3/4	1/2	-	-	-
BY1313MRM-1008	7/8	1/2	36,8	43	22
BY1313MRM-1208	1"1/16	1/2	42,2	49,5	27
BY1313MRM-1212	1"1/16	3/4	42,2	49,5	27
BY1313MRM-1616	1"5/16	1"	46	52	33
BY1313MRM-2020	1"5/8	1"1/4	-	-	-

SERIE BY1133RMM

TEE MASCHIO JIC - MASCHIO ORIENTABILE LATERALE GAS

JIC UNION TEE WITH SIDE BSP ROTARY MALE

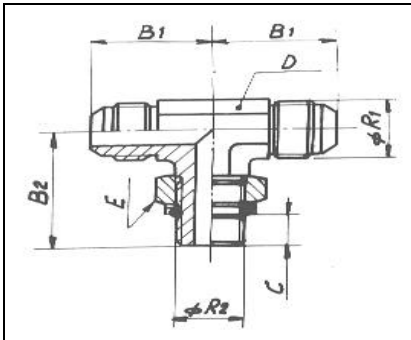


Codice Part Number	Dimensioni Dimensions				
	R1	R2	B1	B2	D
BY1133RMM-0402	7/16	1/8	22,6	26	11
BY1133RMM-0404	7/16	1/4	-	-	-
BY1133RMM-0502	1/2	1/8	24,1	26	13
BY1133RMM-0604	9/16	1/4	26,9	32	14
BY1133RMM-0606	9/16	3/8	26,9	37	19
BY1133RMM-0806	3/4	3/8	31,8	37	19
BY1133RMM-0808	3/4	1/2	-	-	-
BY1133RMM-1008	7/8	1/2	36,8	43	22
BY1133RMM-1212	1"1/16	3/4	42,2	49,5	27
BY1133RMM-1616	1"5/16	1"	46	52	33
BY1133RMM-2020	1"5/8	1"1/4	-	-	-

SERIE BY1383MRM

TEE MASCHIO JIC - MASCHIO ORIENTABILE CENTRALE SAE

JIC UNION TEE WITH CENTRAL SAE ROTARY MALE

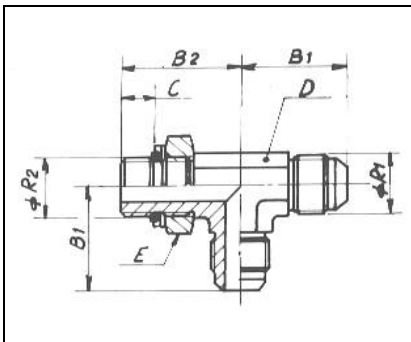


Codice Part Number	Dimensioni Dimensions				
	R1-R2	B1	B2	D	E
BY1383MRM-0404	7/16	22,6	26,2	11	14
BY1383MRM-0505	1/2	24,1	27,7	13	16
BY1383MRM-0606	9/16	26,9	31,8	14	17
BY1383MRM-0808	3/4	31,8	36,8	19	22
BY1383MRM-1010	7/8	36,8	43,2	22	27
BY1383MRM-1212	1"1/16	42,2	49,3	27	32
BY1383MRM-1616	1"5/16	46	52,1	33	38

SERIE BY1833RMM

TEE MASCHIO JIC - MASCHIO ORIENTABILE LATERALE SAE

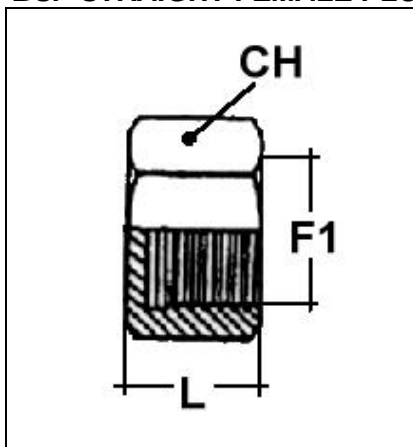
JIC UNION TEE WITH SIDE SAE ROTARY MALE



Codice Part Number	Dimensioni Dimensions				
	R1-R2	B1	B2	D	E
BY1833MRM-0404	7/16	22,6	26,2	11	14
BY1833MRM-0505	1/2	24,1	27,7	13	16
BY1833MRM-0606	9/16	26,9	31,8	14	17
BY1833MRM-0808	3/4	31,8	36,8	19	22
BY1833MRM-1010	7/8	36,8	43,2	22	27
BY1833MRM-1212	1"1/16	42,2	49,3	27	32
BY1833MRM-1616	1"5/16	46	52,1	33	38

SERIE BT1F1

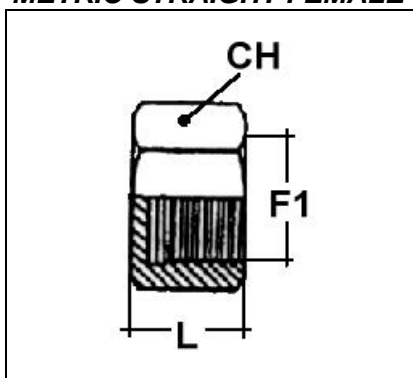
TAPPO FEMMINA GAS
BSP STRAIGHT FEMALE PLUG



Codice <i>Part Number</i>	Dimensioni <i>Dimensions</i>			
	F1		L	Ch
BT1F1-02	1/8		12	14
BT1F1-04	1/4		13	17
BT1F1-06	3/8		14	22
BT1F1-08	1/2		15	27
BT1F1-10	5/8		-	30
BT1F1-12	3/4		17	30
BT1F1-16	1"		26	38
BT1F1-20	1"1/4		26	46
BT1F1-24	1"1/2		25	55
BT1F1-32	2"		25	70

SERIE BT1F2

TAPPO FEMMINA METRICO
METRIC STRAIGHT FEMALE PLUG

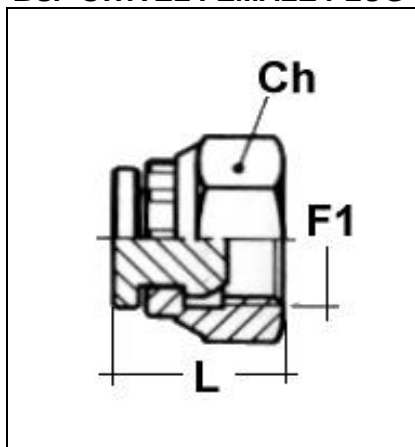


Codice <i>Part Number</i>	Dimensioni <i>Dimensions</i>			
	F1		L	Ch
BT1F2-10B	10x1		12	14
BT1F2-12	12x1,5		13	17
BT1F2-14	14x1,5		13	17
BT1F2-16	16x1,5		14	22
BT1F2-18	18x1,5		14	24
BT1F2-22	22x1,5		15	27
BT1F2-26	26x1,5		18	32
BT1F2-30	30x1,5		25	36

SERIE BT1S1

TAPPO FEMMINA SEDE OGIVA GAS CON DADO GIREVOLE

BSP SWIVEL FEMALE PLUG

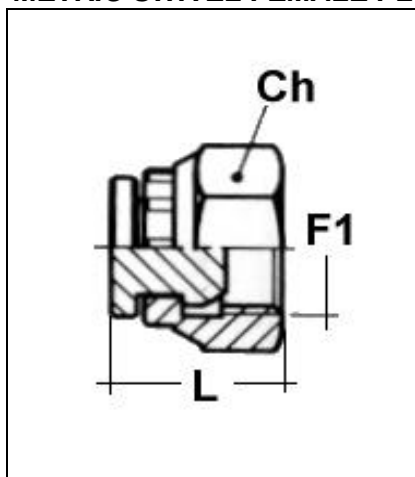


Codice <i>Part Number</i>	Dimensioni <i>Dimensions</i>			
	F1		L	Ch
BT1S1-02	1/8		19	15
BT1S1-04	1/4		18	19
BT1S1-06	3/8		22	22
BT1S1-08	1/2		22	27
BT1S1-10	5/8		24	28
BT1S1-12	3/4		28	32
BT1S1-16	1"		28	38
BT1S1-20	1"1/4		33	50
BT1S1-24	1"1/2		35	55
BT1S1-32	2"		45	70

SERIE BT1S2

TAPPO FEMMINA SEDE OGIVA METRICA CON DADO GIREVOLE

METRIC SWIVEL FEMALE PLUG

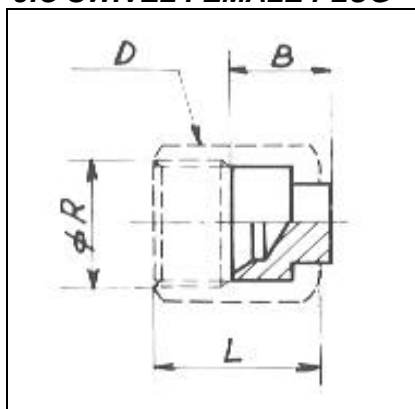


Codice <i>Part Number</i>	Dimensioni <i>Dimensions</i>			
	F1		L	Ch
BT1S2-10B	10X1		19	15
BT1S2-12	12X1,5		18	17
BT1S2-14	14x1,5		18	19
BT1S2-16	16x1,5		21	22
BT1S2-18	18x1,5		21	24
BT1S2-20	20X1,5		23	27
BT1S2-22	22x1,5		23	27
BT1S2-24	24X1,5		30	30
BT1S2-26	26X1,5		33	32
BT1S2-28	28X1,5		35	36
BT1S2-30	30X1,5		55	36

SERIE BT1S3

TAPPO FEMMINA SEDE SVASATA JIC 74° CON DADO GIREVOLE

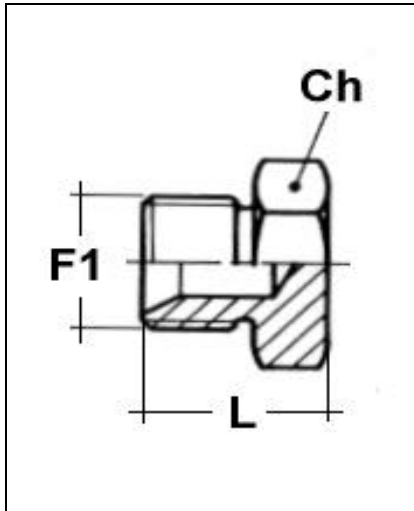
JIC SWIVEL FEMALE PLUG



Codice <i>Part Number</i>	Dimensioni <i>Dimensions</i>				
	R		B	D	L
BT1S3-04	7/16 UNF		9	14	15,5
BT1S3-05	1/2 UNF		10,5	17	17
BT1S3-06	9/16 UNF		10,5	19	18,3
BT1S3-08	3/4 UNF		13	22	21,3
BT1S3-10	7/8 UNF		14	27	24,6
BT1S3-12	1"1/16UNF		14	32	25,9
BT1S3-16	1"5/16UNF		17	41	28,4
BT1S3-20	1"5/8 UNF		19	50	31
BT1S3-24	1"7/8 UNF		21	60	35,8

SERIE BT1M1

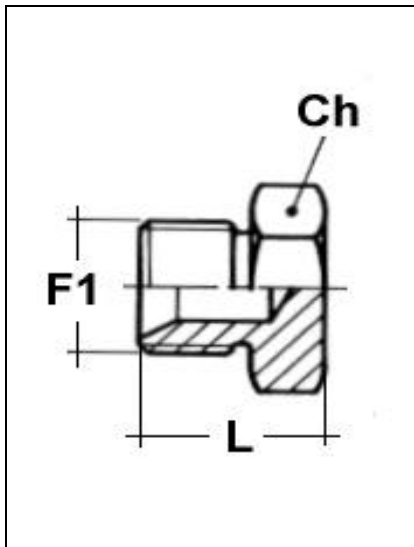
TAPPO MASCHIO CILINDRICO GAS - BSP STRAIGHT MALE PLUG



Codice Part Number	Dimensioni Dimensions			
	F1		L	Ch
BT1M1-02	1/8		13	14
BT1M1-04	1/4		19	19
BT1M1-06	3/8		20	22
BT1M1-08	1/2		23	27
BT1M1-10	5/8		26	28
BT1M1-12	3/4		26	32
BT1M1-16	1"		30	41
BT1M1-20	1"1/4		32	50
BT1M1-24	1"1/2		33	55
BT1M1-32	2"		36	65
BT1M1-40	2"1/2		52	85
BT1M1-48	3"		60	100

SERIE BT1M2

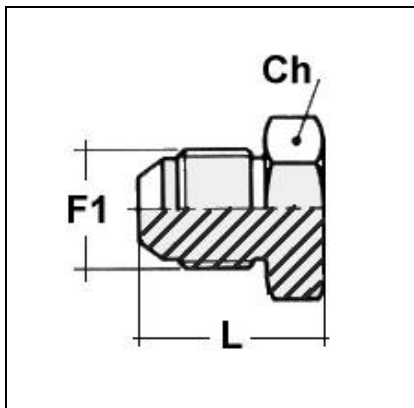
TAPPO MASCHIO CILINDRICO METRICO - METRIC STRAIGHT MALE PLUG



Codice Part Number	Dimensioni Dimensions			
	F1		L	Ch
BT1M2-10B	10x1		16	15
BT1M2-10	10x1,5		15,5	14
BT1M2-12A	12x1,25		16	17
BT1M2-12	12x1,5		17,5	17
BT1M2-14	14x1,5		18	19
BT1M2-16	16x1,5		21	22
BT1M2-18	18x1,5		22	24
BT1M2-20	20x1,5		22	27
BT1M2-22	22x1,5		22	27
BT1M2-24	24x1,5		25	30
BT1M2-26	26x1,5		27	32
BT1M2-28	28x1,5		28	36
BT1M2-30	30x1,5		29	36

SERIE BT1M3

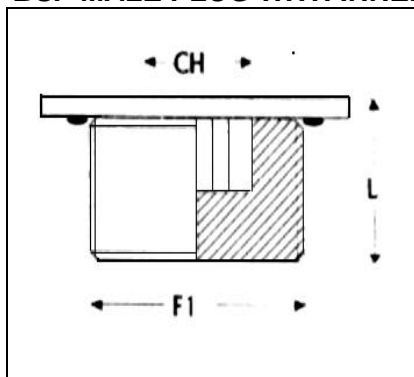
TAPPO MASCHIO JIC 74° - JIC MALE PLUG



Codice Part Number	Dimensioni Dimensions			
	F1		L	Ch
BT1M3-04	7/16 UNF		20,3	13
BT1M3-05	1/2 UNF		20,3	14
BT1M3-06	9/16 UNF		21,3	16
BT1M3-08	3/4 UNF		23,9	19
BT1M3-10	7/8 UNF		27,9	24
BT1M3-12	1"1/16UNF		32,5	27
BT1M3-16	1"5/16UNF		33,8	36
BT1M3-20	1"5/8 UNF		36,8	46
BT1M3-24	1"7/8 UNF		41,9	50

SERIE BT1G1

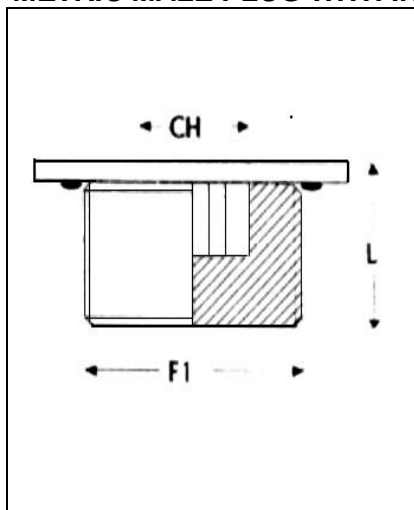
TAPPO A BRUGOLA GAS CON BATTUTA E GUARNIZIONE GOMMA PIANA
BSP MALE PLUG WITH INNER HEXAGON AND SEAL



Codice Part Number	Dimensioni Dimensions				
	F1	Dia	L	L1	CH1
BT1G1-02	1/8	14	12	8	5
BT1G1-04	1/4	19	17	12	6
BT1G1-06	3/8	22	17	12	8
BT1G1-08	1/2	27	19	14	10
BT1G1-12	3/4	32	21	16	12
BT1G1-16	1"	40	22,5	16	17
BT1G1-20	1"1/4	50	22,5	16	22
BT1G1-24	1"1/2	55	22,5	16	24

SERIE BT1G2

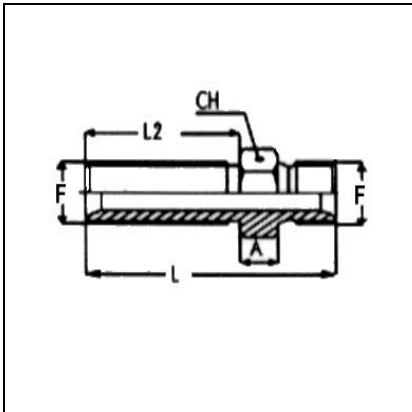
TAPPO A BRUGOLA METRICO CON BATTUTA E GUARNIZIONE PIANA
METRIC MALE PLUG WITH INNER HEXAGON AND SEAL



Codice Part Number	Dimensioni Dimensions				
	F1	Dia	L	L1	Ch
BT1G2-10B	10x1	14	12	8	5
BT1G2-12	12x1,5	17	17	12	6
BT1G2-14	14x1,5	19	17	12	6
BT1G2-16	16x1,5	22	17	12	8
BT1G2-18	18x1,5	24	17	12	8
BT1G2-20	20x1,5	26	19	14	10
BT1G2-22	22x1,5	27	19	14	10
BT1G2-26	26x1,5	32	21	16	12
BT1G2-27C	27x2	32	21	16	12
BT1G2-33C	33x2	40	22,5	16	17
BT1G2-42C	42x2	50	22,5	16	22
BT1G2-48C	48x2	55	22,5	16	24

SERIE BK111

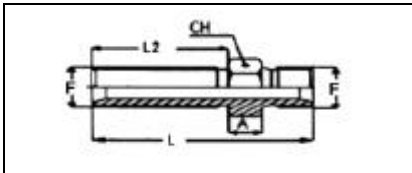
PASSAPARETE CILINDRICO GAS - BSP BULKHEAD STRAIGHT UNION



Codice Part Number	Dimensioni Dimensions				
	F	L	Ch	A	L2
BK111-0202	1/8	40	15	6	24
BK111-0404	1/4	52	19	7	35
BK111-0606	3/8	55	22	7	34
BK111-0808	1/2	62	27	9	39
BK111-1212	3/4	66	32	12	38
BK111-1616	1"	85	38	10	55
BK111-2020	1"1/4	90	50	12	51
BK111-2424	1"1/2	95	55	12	62
BK111-3232	2"	110	70	15	69

SERIE BK122

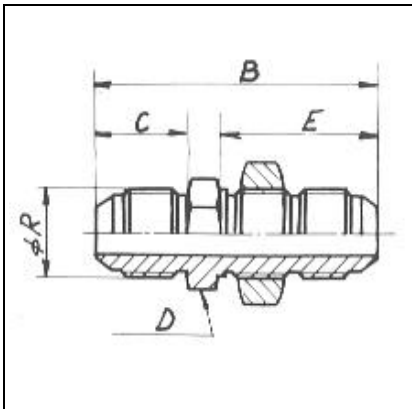
PASSAPARETE CILINDRICO METRICO - METRIC BULKHEAD STRAIGHT UNION



Codice Part Number	Dimensioni Dimensions				
	F	L	Ch	A	L2
BK122-16	16x1,5	53	22	6	36
BK122-18	18x1,5	54	24	6	35

SERIE BK133

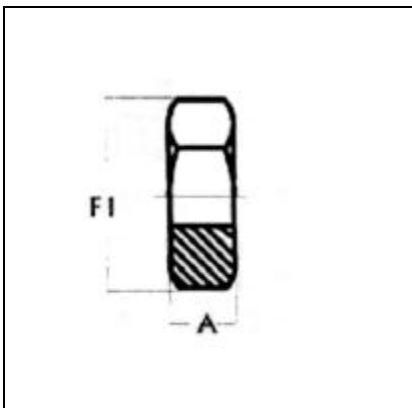
PASSAPARETE DIRITTO JIC - JIC BULKHEAD STRAIGHT UNION



Codice Part Number	Dimensioni Dimensions				
	R	B	C	D	E
BK133-0404	7/16	52,6	14	17	31,3
BK133-0505	1/2	52,6	14	19	31,3
BK133-0606	9/16	55,4	14,1	22	33,3
BK133-0808	3/4	62	16,7	24	37,4
BK133-1010	7/8	69,6	19,3	30	40,9
BK133-1212	1"1/16	78,5	21,9	36	45,2
BK133-1616	1"5/16	79,8	23,1	41	45,2
BK133-2020	1"5/8	84,1	24,3	50	46,5
BK133-2424	1"7/8	89,4	27,5	55	46,8

SERIE BH11

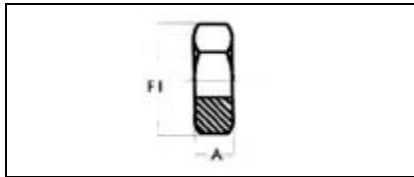
CONTRODADO GAS PER PASSAPARETE - BSP NUT FOR UNIONS



Codice Part Number	Dimensioni Dimensions				
	F1			A	Ch
BH11-02	1/8			6	15
BH11-04	1/4			6	19
BH11-06	3/8			7	22
BH11-08	1/2			7	27
BH11-12	3/4			9	32
BH11-16	1"			12	41
BH11-20	1"1/4			12	50
BH11-24	1"1/2			12	55
BH11-32	2"			15	70

SERIE BH12

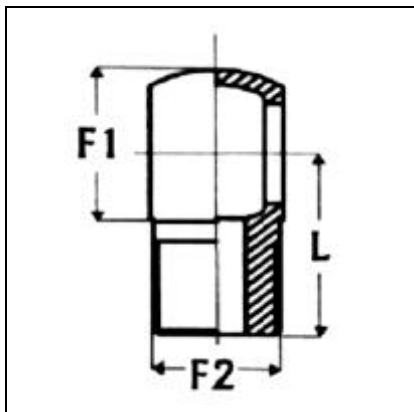
CONTRODADO METRICO PER PASSAPARETE - METRIC NUT FOR UNIONS



Codice Part Number	Dimensioni Dimensions			
	F		A	Ch
BH12-16	16x1,5		7	22
BH12-18	18x1,5		7	22

SERIE BJ111

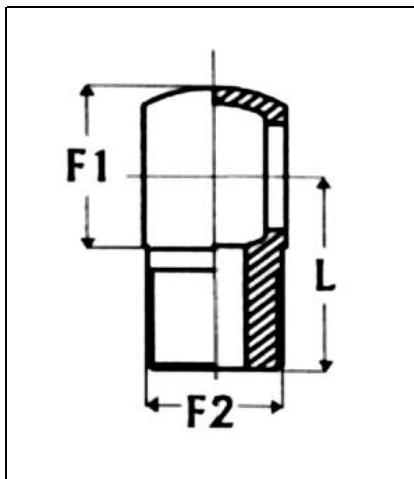
OCCHIO CON FILETTO GAS - BSP BANJO ADAPTER



Codice Part Number	Dimensioni Dimensions			
	F1	F2	L	Sf.
BJ111-0202	1/8	1/8	18	17
BJ111-0404	1/4	1/4	25	24
BJ111-0606	3/8	3/8	29	28
BJ111-0808	1/2	1/2	-	-
BJ111-1010	5/8	5/8	-	-
BJ111-1212	3/4	3/4	38	45
BJ111-1616	1"	1"	45	52
BJ111-2020	1"1/4	1"1/4	-	-
BJ111-2424	1"1/2	1"1/2	-	-

SERIE BJ122

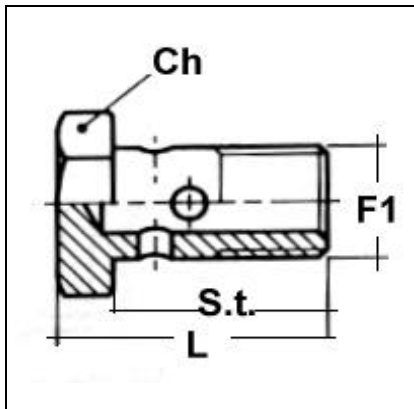
OCCHIO CON FILETTO METRICO - METRIC BANJO ADAPTER



Codice Part Number	Dimensioni Dimensions			
	F1	F2	L	Sf.
BJ122-10B	10X1	10X1	18	17
BJ122-1212	12x1,5	12x1,5	22	20
BJ122-1414	14x1,5	14x1,5	25	24
BJ122-1616	16x1,5	16x1,5	29	28
BJ122-1818	18x1,5	18x1,5	30	32
BJ122-2020	20x1,5	20x1,5	-	-
BJ122-2222	22x1,5	22x1,5	32	35
BJ122-2424	24x1,5	24x1,5	-	-
BJ122-2626	26x1,5	26x1,5	-	-
BJ122-2828	28x1,5	28x1,5	-	-
BJ122-3030	30x1,5	30x1,5	-	-

SERIE BB11S

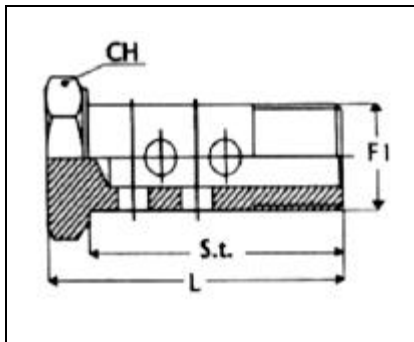
BULLONE CAVO GAS - BSP BOLT FOR BANJO



Codice Part Number	Dimensioni Dimensions			
	F1	S.t.	L	Ch
BB11S-02	1/8	19	24	14
BB11S-04	1/4	26	34	19
BB11S-06	3/8	32	39	22
BB11S-08	1/2	41	49	27
BB11S-10	5/8	42	52	28
BB11S-12	3/4	52	60	32
BB11S-16	1"	59	71	41
BB11S-20	1"1/4	68	84	50
BB11S-24	1"1/2	85	100	55

SERIE BB11D

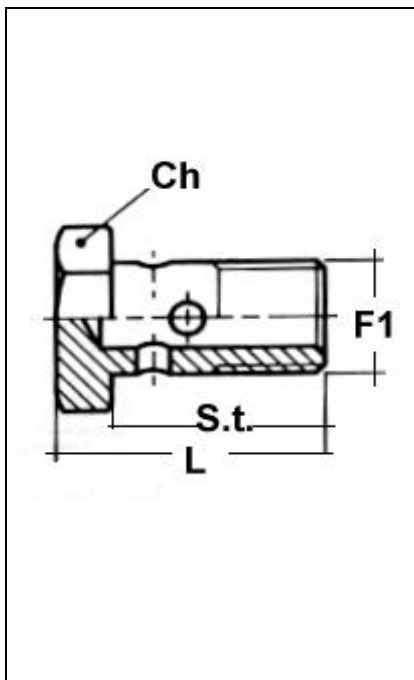
BULLONE CAVO DOPPIO GAS - BSP DOUBLE BOLT FOR BANJO



Codice Part Number	Dimensioni Dimensions			
	F1	S.t.	L	Ch
BB11D-02	1/8	34	39	14
BB11D-04	1/4	43	50	19
BB11D-06	3/8	50	57	22
BB11D-08	1/2	63	72	27
BB11D-10	5/8	67	77	28
BB11D-12	3/4	82	93	32
BB11D-16	1"	95	107	41

SERIE BB12S

BULLONE CAVO METRICO - METRIC BOLT FOR BANJO

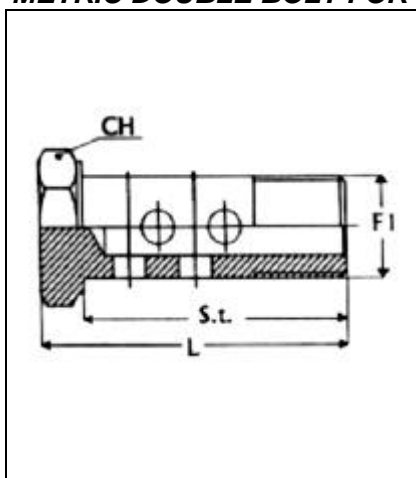


Codice Part Number	Dimensioni Dimensions			
	F1	S.t.	L	Ch
BB12S-06B	6x1	16	20	10
BB12S-08B	8x1	16	20	12
BB12S-10B	10x1	21	26	14
BB12S-10A	10x1,25	21	26	15
BB12S-10	10x1,5	21	26	15
BB12S-12B	12x1	26	32	17
BB12S-12A	12x1,25	26	32	17
BB12S-12	12x1,5	26	32	17
BB12S-14	14x1,5	27	35	19
BB12S-16	16x1,5	33	40	22
BB12S-18	18x1,5	36	43	24
BB12S-20	20x1,5	37	45	27
BB12S-22	22x1,5	40	48	27
BB12S-24	24x1,5	-	-	30
BB12S-26	26x1,5	45	55	32
BB12S-28	28x1,5	48	58	40
BB12S-30	30x1,5	48	58	40

SERIE BB12D

BULLONE CAVO DOPPIO METRICO

METRIC DOUBLE BOLT FOR BANJO

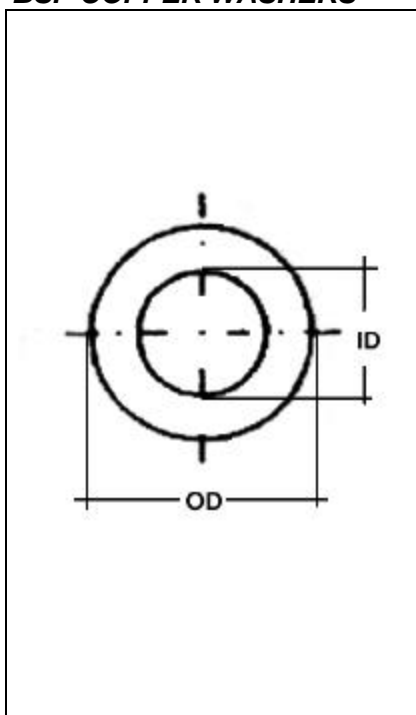


Codice <i>Part Number</i>	Dimensioni <i>Dimensions</i>			
	F1	S.t.	L	Ch
BB12D-10B	10X1	33	38,5	14
BB12D-10A	10x1,25	33	38,5	14
BB12D-10	10x1,5	33	38,5	14
BB12D-12B	12x1	40	42	17
BB12D-12A	12x1,25	40	42	17
BB12D-12	12x1,5	40	42	17
BB12D-14	14x1,5	49	55	19
BB12D-16	16x1,5	50	58	22
BB12D-18	18x1,5	58	66	27
BB12D-20	20x1,5	-	-	27
BB12D-22	22x1,5	63	70	27

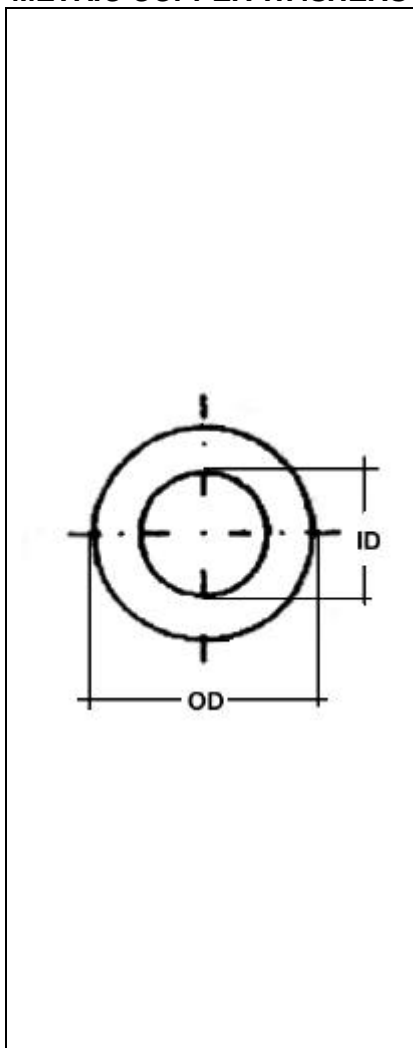
SERIE BC51

RONDELLE IN RAME GAS

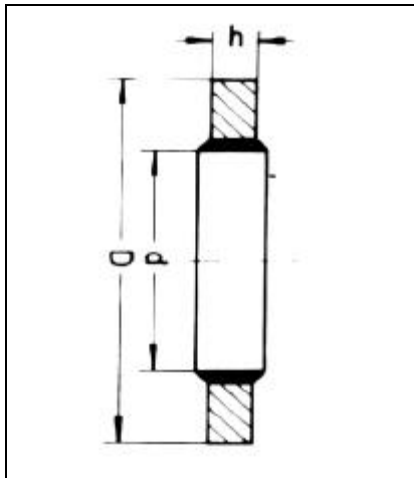
BSP COPPER WASHERS



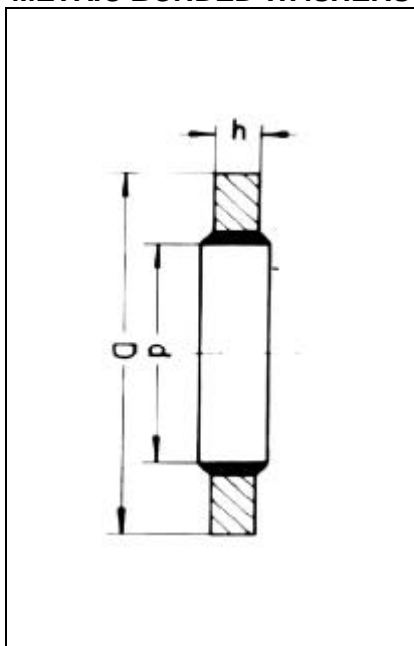
Codice <i>Part Number</i>	Dimensioni <i>Dimensions</i>			
	F	ID	OD	S
BC51-02	1/8	10	14	1,5
BC51-02A	1/8	10	16	1,5
BC51-02B	1/8	10	18	1,5
BC51-02C	1/8	10	20	1,5
BC51-04	1/4	13,5	18	1,5
BC51-04A	1/4	13,5	19	1,5
BC51-04B	1/4	13,5	20	1,5
BC51-06	3/8	17	22	1,5
BC51-06A	3/8	17	23	1,5
BC51-08	1/2	21,5	26	1,5
BC51-08A	1/2	21,5	27	1,5
BC51-08B	1/2	21,5	28	1,5
BC51-10	5/8	24	30	1,5
BC51-10A	5/8	24	32	1,5
BC51-12	3/4	27	33	1,5
BC51-16	1"	33,5	40	1,5
BC51-20	1"1/4	42	50	1,5
BC51-24	1"1/2	48	56	1,5

SERIE BC52**RONDELLE IN RAME METRICHE**
METRIC COPPER WASHERS

Codice <i>Part Number</i>	Dimensioni <i>Dimensions</i>		
	ID	OD	S
BC52-0610	6	10	1,5
BC52-0612	6	12	1,5
BC52-0812A	8	12	1
BC52-0812	8	12	1,5
BC52-0814	8	14	1,5
BC52-0816	8	16	1,5
BC52-1016	10	16	1,5
BC52-1216	12	16	1,5
BC52-1218	12	18	1,5
BC52-1220	12	20	1,5
BC52-1418	14	18	1,5
BC52-1420	14	20	1,5
BC52-1422	14	22	1,5
BC52-1620	16	20	1,5
BC52-1622	16	22	1,5
BC52-1624	16	24	1,5
BC52-1822	18	22	1,5
BC52-1824	18	24	1,5
BC52-1826	18	26	1,5
BC52-2026	20	26	1,5
BC52-2028	20	28	1,5
BC52-2030	20	30	1,5
BC52-2226	22	26	1,5
BC52-2228	22	28	1,5
BC52-2230	22	30	1,5
BC52-2834	28	34	1,5
BC52-3036	30	36	1,5
BC52-3238	32	38	1,5

SERIE BC171**RONDELLE DI TENUTA BONDED GAS****BSP BONDED WASHERS**

Codice <i>Part Number</i>	Dimensioni <i>Dimensions</i>			
	F1	d	D	H
BC171-02	1/8	10,3	16	2,1
BC171-04	1/4	13,7	20,7	2,1
BC171-06	3/8	17,25	23,9	2,1
BC171-08	1/2	21,5	28,7	2,5
BC171-10	5/8	23,5	31,9	2,5
BC171-12	3/4	27,05	35	2,5
BC171-16	1"	33,85	42,9	3,4
BC171-20	1"1/4	42,9	52,5	3,4
BC171-24	1"1/2	48,4	58,7	3,4
BC171-32	2"	60,6	73,1	3,4
BC171-40	2"1/2	76,1	90,3	3,4

SERIE BC172**RONDELLE DI TENUTA BONDED METRICHE****METRIC BONDED WASHERS**

Codice <i>Part Number</i>	Dimensioni <i>Dimensions</i>			
	F1	d	D	H
BC172-08	M8	8,65	14,4	1,3
BC172-10	M10	11,18	18,5	2,1
BC172-12	M12	13,7	20,7	2,1
BC172-14	M14	14,85	22,3	2,1
BC172-16	M16	16,51	25,5	2,1
BC172-18	M18	18,15	25,5	2,5
BC172-20	M20	21,5	28,7	2,5
BC172-24	M24	24,25	33,4	2,5
BC172-26	M26	27,05	35	2,5
BC172-27	M27	28,7	37	2,5
BC172-30	M30	30,8	38,2	2,5
BC172-33	M33	33,85	42,9	3,4
BC172-36	M36	36,65	44,6	3,4
BC172-38	M38	39	47,9	3,4
BC172-39	M39	39,5	46,2	3,4
BC172-45	M45	45,3	57,2	3,4