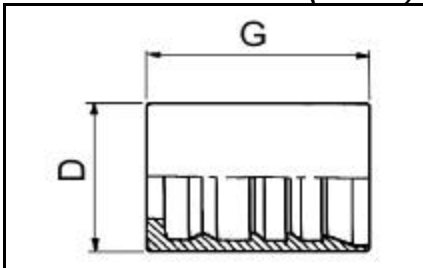


SERIE B14B090

GHIERA SKIVE x 4SP-4SH-R9R-R12 INTERLOCK

SWAGED FERRULE (SKIVE) x 4SP-4SH-R9R-R12 INTERLOCK

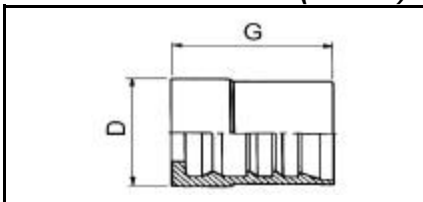


| Codice Part number | ø Int. Tubo Hose I.D. | | | Dimensioni Dimensions | | |
|-----------------------|--------------------------|------|----|--------------------------|----|--|
| | Pollici | mm | DN | G | D | |
| B14B090-12 | 3/4" | 20 | 20 | 60 | 38 | |
| B14B090-16 | 1" | 25 | 25 | 74 | 46 | |
| B14B090-20 | 1 1/4" | 31,8 | 32 | 88 | 55 | |
| B14B090-24 | 1 1/2" | 38,1 | 40 | 94 | 62 | |
| B14B090-32 | 2" | 50 | 50 | 99 | 78 | |

SERIE B14B100

GHIERA SKIVE x R13 INTERLOCK

SWAGED FERRULE (SKIVE) x R13 INTERLOCK

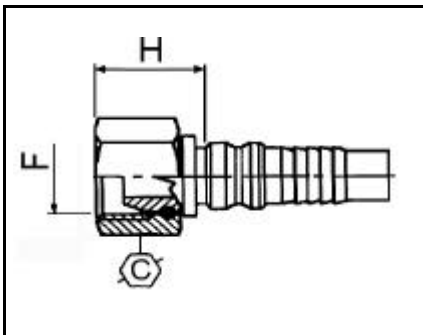


| Codice Part number | ø Int. Tubo Hose I.D. | | | Dimensioni Dimensions | | |
|-----------------------|--------------------------|------|----|--------------------------|------|--|
| | Pollici | mm | DN | G | D | |
| B14B100-20 | 1 1/4" | 31,8 | 32 | 88 | 60 | |
| B14B100-24 | 1 1/2" | 38,1 | 40 | 94 | 67 | |
| B14B100-32 | 2" | 50,8 | 50 | 99 | 84,5 | |

SERIE B14F101 / B14F102

FEMMINA DIRITTA BSP CONO 60° (DADO A SPINETTA)

STRAIGHT BSP SWIVEL FEMALE 60° CONE (THRUST WIRE NUT)



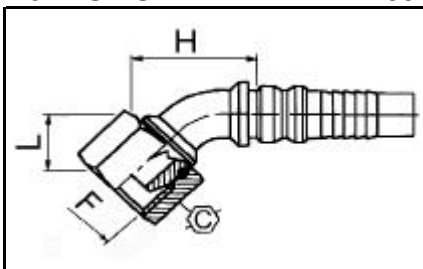
| Codice Part number | ø Int. Tubo Hose I.D. | | | Filetto Thread | Dimensioni Dimensions | |
|-----------------------|--------------------------|------|----|-------------------|--------------------------|------|
| | Pollici | mm | DN | F | C | H |
| *B14F101-08-080 | 1/2" | 12,7 | 12 | 1/2"-14 | 27 | 20 |
| *B14F101-10-100 | 5/8" | 15,9 | 16 | 5/8"-14 | 27 | 19,5 |
| B14F102-12-120 | 3/4" | 19 | 20 | 3/4"-14 | 32 | 22,5 |
| B14F102-16-160 | 1" | 25,4 | 25 | 1"-11 | 38 | 26,5 |
| B14F102-20-200 | 1 1/4" | 31,8 | 32 | 1 1/4"-11 | 50 | 30,5 |
| B14F102-24-240 | 1 1/2" | 38,1 | 40 | 1 1/2"-11 | 55 | 33,5 |
| B14F102-32-320 | 2" | 50,8 | 50 | 2"-11 | 70 | 36 |

* Dado pressato - Crimped nut

SERIE B14F142

FEMMINA 45° BSP CONO 60° (DADO A SPINETTA/PEZZO UNICO)

45° BSP SWIVEL FEMALE 60° CONE (THRUST WIRE NUT/SOLID ONE PIECE)

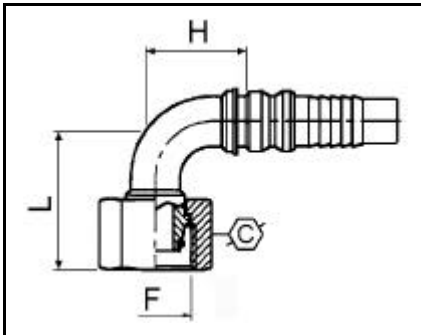


| Codice Part number | ø Int. Tubo Hose I.D. | | | Filetto Thread | Dimensioni Dimensions | |
|-----------------------|--------------------------|------|----|-------------------|--------------------------|----|
| | Pollici | mm | DN | F | H | L |
| B14F142-12-120 | 3/4" | 19 | 20 | 3/4"-14 | 72 | 30 |
| B14F142-16-160 | 1" | 25,4 | 25 | 1"-11 | 86 | 36 |
| B14F142-20-200 | 1 1/4" | 31,8 | 32 | 1 1/4"-11 | 101 | 42 |
| B14F142-24-240 | 1 1/2" | 38,1 | 40 | 1 1/2"-11 | 120 | 50 |
| B14F142-32-320 | 2" | 50,8 | 50 | 2"-11 | 144 | 52 |

SERIE B14F191 / B14F192

FEMMINA 90° BSP CONO 60° (DADO SPINATO/PEZZO UNICO)

90° BSP SWIVEL FEMALE 60° CONE (THRUST WIRE NUT/SOLID ONE PIECE)



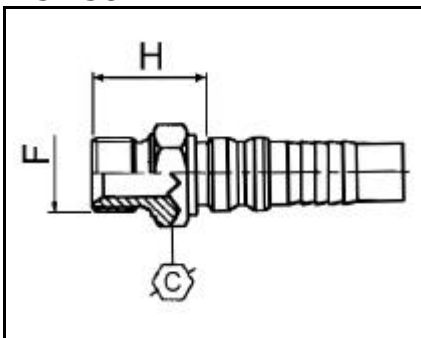
| Codice Part number | ø Int. Tubo Hose I.D. | | | Filetto Thread | Dimensioni Dimensions | |
|-----------------------|--------------------------|------|----|-------------------|--------------------------|-----|
| | Pollici | mm | DN | | H | L |
| *B14F191-08-080 | 1/2" | 12,7 | 12 | 1/2"-14 | 37 | 41 |
| *B14F191-10-100 | 5/8" | 15,9 | 16 | 5/8"-14 | 51 | 47 |
| B14F192-12-120 | 3/4" | 19 | 20 | 3/4"-14 | 58 | 61 |
| B14F192-16-160 | 1" | 25,4 | 25 | 1"-11 | 75 | 78 |
| B14F192-20-200 | 1 1/4" | 31,8 | 32 | 1 1/4"-11 | 88 | 89 |
| B14F192-24-240 | 1 1/2" | 38,1 | 40 | 1 1/2"-11 | 101 | 104 |
| B14F192-32-320 | 2" | 50,8 | 50 | 2"-11 | 137 | 125 |

* Dado pressato - Crimped nut

SERIE B14N100

MASCHIO BSP CONO 60°

BSP SOLID MALE PARALLEL 60° SEAT

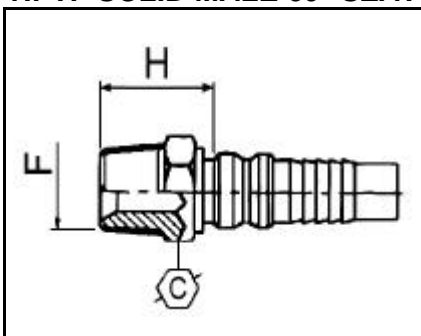


| Codice Part number | ø Int. Tubo Hose I.D. | | | Filetto Thread | Dimensioni Dimensions | |
|-----------------------|--------------------------|------|----|-------------------|--------------------------|------|
| | Pollici | mm | DN | | F | C |
| B14N100-08-080 | 1/2" | 12,7 | 12 | 1/2"-14 | 27 | 30 |
| B14N100-10-100 | 5/8" | 15,9 | 16 | 5/8"-14 | 30 | 32 |
| B14N100-12-120 | 3/4" | 19 | 20 | 3/4"-14 | 32 | 32 |
| B14N100-16-160 | 1" | 25,4 | 25 | 1"-11 | 41 | 38 |
| B14N100-20-200 | 1 1/4" | 31,8 | 32 | 1 1/4"-11 | 50 | 44 |
| B14N100-24-240 | 1 1/2" | 38,1 | 40 | 1 1/2"-11 | 55 | 46,5 |
| B14N100-32-320 | 2" | 50,8 | 50 | 2"-11 | 70 | 52,5 |

SERIE B14M600

MASCHIO NPTF CONO 60°

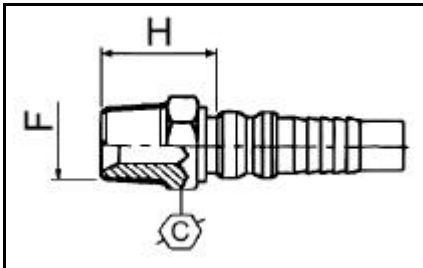
NPTF SOLID MALE 60° SEAT



| Codice Part number | ø Int. Tubo Hose I.D. | | | Filetto Thread | Dimensioni Dimensions | |
|-----------------------|--------------------------|------|----|-------------------|--------------------------|------|
| | Pollici | mm | DN | | F | C |
| B14M600-08-080 | 1/2" | 12,7 | 12 | 1/2"-14 | 22 | 32 |
| B14M600-10-120 | 5/8" | 15,9 | 16 | 3/4"-14 | 27 | 32 |
| B14M600-12-120 | 3/4" | 19 | 20 | 3/4"-14 | 27 | 32 |
| B14M600-16-160 | 1" | 25,4 | 25 | 1"-11,1/2 | 36 | 41 |
| B14M600-20-200 | 1 1/4" | 31,8 | 32 | 1 1/4"-11,1/2 | 46 | 46 |
| B14M600-24-240 | 1 1/2" | 38,1 | 40 | 1 1/2"-11,1/2 | 50 | 47,5 |
| B14M600-32-320 | 2" | 50,8 | 50 | 2"-11,1/2 | 65 | 51 |

SERIE B14M100

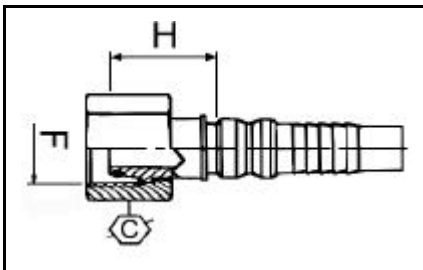
MASCHIO BSP CONICO
BSP TAPERED SOLID MALE



| Codice Part number | ø Int. Tubo Hose I.D. | | | Filetto Thread | Dimensioni Dimensions | |
|-----------------------|--------------------------|------|----|-------------------|--------------------------|------|
| | Pollici | mm | DN | | F | C |
| B14M100-12-120 | 3/4" | 19 | 20 | 3/4"-14 | 27 | 32 |
| B14M100-16-160 | 1" | 25,4 | 25 | 1"-11 | 36 | 41 |
| B14M100-20-200 | 1 1/4" | 31,8 | 32 | 1 1/4"-11 | 46 | 46 |
| B14M100-24-240 | 1 1/2" | 38,1 | 40 | 1 1/2"-11 | 50 | 46,5 |
| B14M100-32-320 | 2" | 50,8 | 50 | 2"-11 | 65 | 51 |

SERIE B14F504

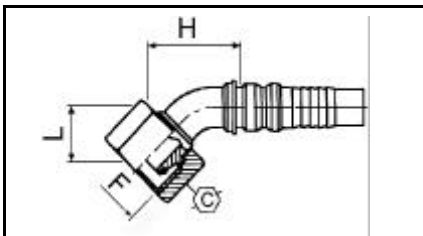
FEMMINA DIRITTA METRICA O-RING DIN 3861
STRAIGHT METRIC SWIVEL FEMALE O-RING DIN 3861



| Codice Part number | ø Int. Tubo Hose I.D. | | | Filetto Thread | Dimensioni Dimensions | |
|-----------------------|--------------------------|------|----|-------------------|--------------------------|------|
| | Pollici | mm | DN | | F | C |
| B14F504-08-240 | 1/2" | 12,7 | 12 | 24x1,5 | 30 | 28,5 |
| B14F504-10-300 | 5/8" | 15,9 | 16 | 30x2 | 36 | 33 |
| B14F504-12-360 | 3/4" | 19 | 20 | 36x2 | 46 | 37 |
| B14F504-16-420 | 1" | 25,4 | 25 | 42x2 | 50 | 40 |
| B14F504-20-520 | 1 1/4" | 31,8 | 32 | 52x2 | 60 | 44,5 |

SERIE B14F544

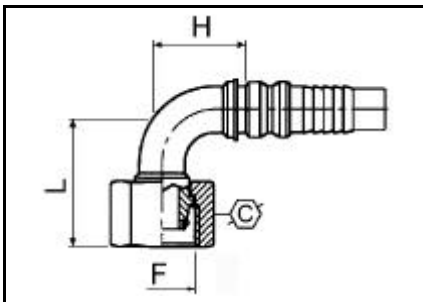
FEMMINA 45° METR. O-RING DIN 3865 (PEZZO UNICO)
45° METRIC SWIVEL FEMALE O-RING DIN 3865 - HEAVY (SOLID ONE PIECE)



| Codice Part number | ø Int. Tubo Hose I.D. | | | Filetto Thread | Dimensioni Dimensions | |
|-----------------------|--------------------------|------|----|-------------------|--------------------------|----|
| | Pollici | mm | DN | | H | L |
| B14F544-12-360 | 3/4" | 19 | 20 | 36x2 | 68 | 30 |
| B14F544-16-360 | 1" | 25,4 | 25 | 36x2 | 68 | 30 |
| B14F544-16-420 | 1" | 25,4 | 25 | 42x2 | 82 | 33 |
| B14F544-20-520 | 1 1/4" | 31,8 | 32 | 52x2 | 101 | 41 |

SERIE B14F594

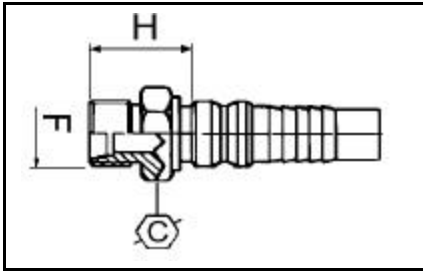
FEMMINA 90° METR. O-RING DIN 3865 (PEZZO UNICO)
90° METRIC SWIVEL FEMALE O-RING DIN 3865 - HEAVY (SOLID ONE PIECE)



| Codice Part number | ø Int. Tubo Hose I.D. | | | Filetto Thread | Dimensioni Dimensions | |
|-----------------------|--------------------------|------|----|-------------------|--------------------------|------|
| | Pollici | mm | DN | | H | L |
| B14F594-08-240 | 1/2" | 12,7 | 12 | 24x1,5 | 37 | 43 |
| B14F594-10-300 | 5/8" | 15,9 | 16 | 30x2 | 51 | 52,5 |
| B14F594-12-360 | 3/4" | 19 | 20 | 36x2 | 59 | 59 |
| B14F594-16-360 | 1" | 25,4 | 25 | 36x2 | 59 | 59 |
| B14F594-16-420 | 1" | 25,4 | 25 | 42x2 | 73 | 70 |
| B14F594-20-520 | 1 1/4" | 31,8 | 32 | 52x2 | 90 | 87 |

SERIE B14N500

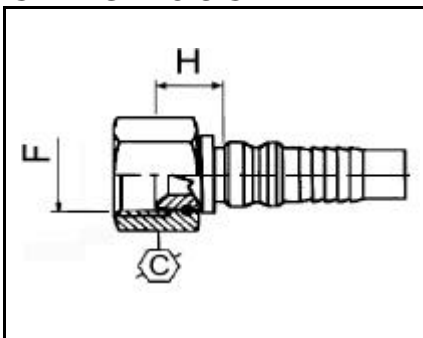
MASCHIO METRICO 24° DIN 3861 - PESANTE
METRIC SOLID MALE 24° SEAT DIN 3861 - HEAVY



| Codice Part number | ø Int. Tubo Hose I.D. | | | Filetto Thread | Dimensioni Dimensions | |
|-----------------------|--------------------------|------|----|-------------------|--------------------------|----|
| | Pollici | mm | DN | | F | C |
| B14N500-08-240 | 1/2" | 12,7 | 12 | 24x1,5 | 24 | 27 |
| B14N500-10-300 | 5/8" | 15,9 | 16 | 30x2 | 32 | 29 |
| B14N500-12-360 | 3/4" | 19 | 20 | 36x2 | 36 | 33 |
| B14N500-16-420 | 1" | 25,4 | 25 | 42x2 | 46 | 38 |
| B14N500-20-520 | 1 1/4" | 31,8 | 32 | 52x2 | 55 | 43 |

SERIE B14F301 / B14F302

FEMMINA DIRITTA JIC OGIVA 37°
STRAIGHT JIC SWIVEL FEMALE 37° SEAT

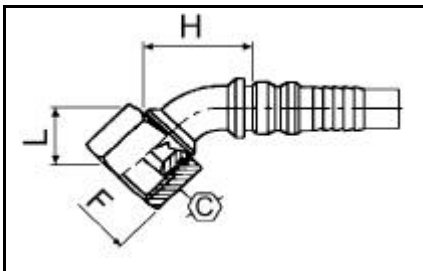


| Codice Part number | ø Int. Tubo Hose I.D. | | | Filetto Thread | Dimensioni Dimensions | |
|-----------------------|--------------------------|------|----|-------------------|--------------------------|------|
| | Pollici | mm | DN | | F | C |
| *B14F301-08-080 | 1/2" | 12,7 | 12 | 3/4"-16 | 25 | 18 |
| *B14F301-10-100 | 5/8" | 15,9 | 16 | 7/8"-14 | 27 | 18 |
| B14F302-12-120 | 3/4" | 19 | 20 | 1 1/16"-12 | 32 | 19 |
| B14F302-16-160 | 1" | 25,4 | 25 | 1 5/16"-12 | 38 | 22,5 |
| B14F302-20-200 | 1 1/4" | 31,8 | 32 | 1 5/8"-12 | 50 | 25,5 |
| B14F302-24-240 | 1 1/2" | 38,1 | 40 | 1 7/8"-12 | 55 | 29 |
| B14F302-32-320 | 2" | 50,8 | 50 | 2 1/2"-12 | 70 | 34 |

* Dado pressato - Crimped nut

SERIE B14F342

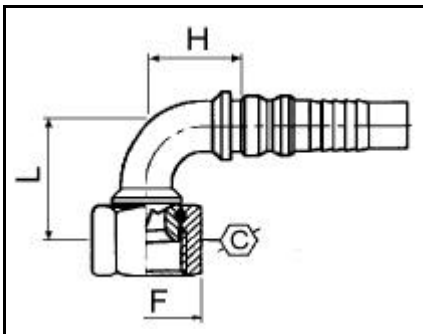
FEMMINA 45° JIC OGIVA 37° (PEZZO UNICO)
45° JIC SWIVEL FEMALE 37° SEAT (SOLID ONE PIECE)



| Codice Part number | ø Int. Tubo Hose I.D. | | | Filetto Thread | Dimensioni Dimensions | |
|-----------------------|--------------------------|------|----|-------------------|--------------------------|----|
| | Pollici | mm | DN | | H | L |
| B14F342-12-120 | 3/4" | 19 | 20 | 1 1/16"-12 | 68 | 26 |
| B14F342-16-160 | 1" | 25,4 | 25 | 1 5/16"-12 | 84 | 35 |
| B14F342-20-200 | 1 1/4" | 31,8 | 32 | 1 5/8"-12 | 102 | 40 |
| B14F342-24-240 | 1 1/2" | 38,1 | 40 | 1 7/8"-12 | 116 | 43 |
| B14F342-32-320 | 2" | 50,8 | 50 | 2 1/2"-12 | 148 | 53 |

SERIE B14F391 / B14F392

FEMMINA 90° JIC OGIVA 37° (PEZZO UNICO)
90° JIC SWIVEL FEMALE 37° SEAT (SOLID ONE PIECE)



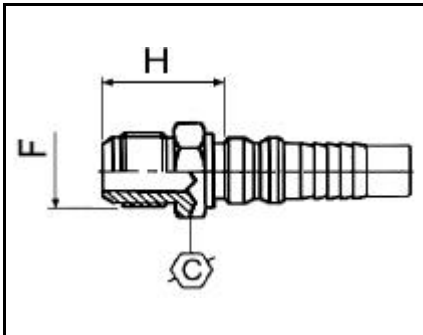
| Codice Part number | ø Int. Tubo Hose I.D. | | | Filetto Thread | Dimensioni Dimensions | |
|-----------------------|--------------------------|------|----|-------------------|--------------------------|-----|
| | Pollici | mm | DN | | H | L |
| *B14F391-08-080 | 1/2" | 12,7 | 12 | 3/4"-16 | 37 | 38 |
| *B14F391-10-100 | 5/8" | 15,9 | 16 | 7/8"-14 | 51 | 46 |
| B14F392-12-120 | 3/4" | 19 | 20 | 1 1/16"-12 | 60 | 58 |
| B14F392-16-160 | 1" | 25,4 | 25 | 1 5/16"-12 | 72 | 69 |
| B14F392-20-200 | 1 1/4" | 31,8 | 32 | 1 5/8"-12 | 88 | 80 |
| B14F392-24-240 | 1 1/2" | 38,1 | 40 | 1 7/8"-12 | 106 | 92 |
| B14F392-32-320 | 2" | 50,8 | 50 | 2 1/2"-12 | 137 | 116 |

* Dado pressato - Crimped nut

SERIE B14M300

MASCHIO JIC 74°

JIC SOLID MALE 74°

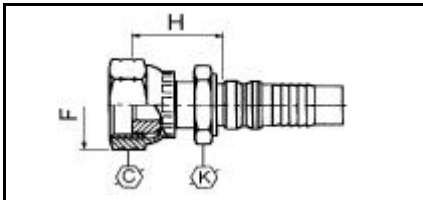


| Codice Part number | ø Int. Tubo Hose I.D. | | | Filetto Thread | Dimensioni Dimensions | |
|-----------------------|--------------------------|------|----|-------------------|--------------------------|------|
| | Pollici | mm | DN | | F | C |
| B14M300-08-080 | 1/2" | 12,7 | 12 | 3/4"-16 | 19 | 28 |
| B14M300-10-100 | 5/8" | 15,9 | 16 | 7/8"-14 | 24 | 32,5 |
| B14M300-12-120 | 3/4" | 19 | 20 | 1 1/16"-12 | 32 | 38 |
| B14M300-16-160 | 1" | 25,4 | 25 | 1 5/16"-12 | 36 | 40 |
| B14M300-20-200 | 1 1/4" | 31,8 | 32 | 1 5/8"-12 | 46 | 47,5 |
| B14M300-24-240 | 1 1/2" | 38,1 | 40 | 1 7/8"-12 | 50 | 51 |
| B14M300-32-320 | 2" | 50,8 | 50 | 2 1/2"-12 | 65 | 59 |

SERIE B14F401

FEMMINA DIRITTA O.R.F.S. (DADO PRESSATO/PEZZO UNICO)

O.R.F.S. STRAIGHT FEMALE (CRIMPED NUT/SOLID ONE PIECE)

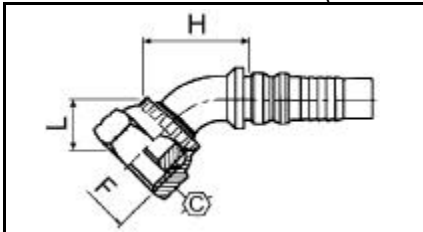


| Codice Part number | ø Int. Tubo Hose I.D. | | | Filetto Thread | Dimensioni Dimensions | |
|-----------------------|--------------------------|------|----|-------------------|--------------------------|----|
| | Pollici | mm | DN | | H | K |
| B14F401-12-120 | 3/4" | 19 | 20 | 1 3/16"-12 | 40 | 30 |
| B14F401-16-160 | 1" | 25,4 | 25 | 1 7/16"-12 | 44 | 36 |

SERIE B14F441

FEMMINA 45° O.R.F.S. (DADO PRESSATO/PEZZO UNICO)

45° O.R.F.S. FEMALE (CRIMPED NUT/SOLID ONE PIECE)

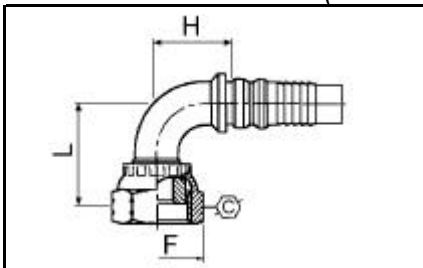


| Codice Part number | ø Int. Tubo Hose I.D. | | | Filetto Thread | Dimensioni Dimensions | |
|-----------------------|--------------------------|------|----|-------------------|--------------------------|----|
| | Pollici | mm | DN | | H | L |
| B14F441-12-120 | 3/4" | 19 | 20 | 1 3/16"-12 | 65 | 26 |
| B14F441-16-160 | 1" | 25,4 | 25 | 1 7/16"-12 | 77 | 28 |

SERIE B14F491

FEMMINA 90° O.R.F.S. (DADO PRESSATO/PEZZO UNICO)

90° O.R.F.S. FEMALE (CRIMPED NUT/SOLID ONE PIECE)

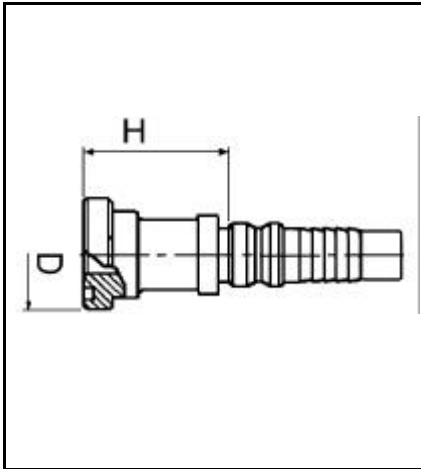


| Codice Part number | ø Int. Tubo Hose I.D. | | | Filetto Thread | Dimensioni Dimensions | |
|-----------------------|--------------------------|------|----|-------------------|--------------------------|----|
| | Pollici | mm | DN | | H | L |
| B14F491-12-120 | 3/4" | 19 | 20 | 1 3/16"-12 | 58 | 58 |
| B14F491-16-160 | 1" | 25,4 | 25 | 1 7/16"-12 | 72 | 66 |

SERIE B14L003

FLANGIA DIRITTA 3000 P.S.I. SAE J517

STRAIGHT FLANGE 3000 P.S.I. SAE J517 CODE 61

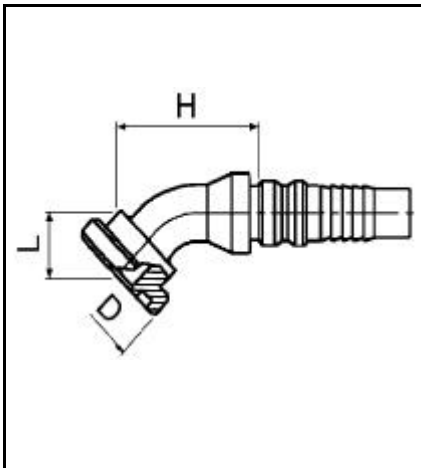


| Codice Part number | ø Int. Tubo Hose I.D. | | | Flangia Flange size | Dimensioni Dimensions | |
|-----------------------|--------------------------|------|----|------------------------|--------------------------|------|
| | Pollici | mm | DN | | H | D |
| B14L003-08-080 | 1/2" | 12,7 | 12 | 1/2" | 39 | 30,2 |
| B14L003-08-120 | 1/2" | 12,7 | 12 | 3/4" | 40 | 38,1 |
| B14L003-12-120 | 3/4" | 19 | 20 | 3/4" | 40 | 38,1 |
| B14L003-12-160 | 3/4" | 19 | 20 | 1" | 48 | 44,5 |
| B14L003-16-160 | 1" | 25,4 | 25 | 1" | 49 | 44,5 |
| B14L003-16-200 | 1" | 25,4 | 25 | 1 1/4" | 51,5 | 50,8 |
| B14L003-20-200 | 1 1/4" | 31,8 | 32 | 1 1/4" | 52,5 | 50,8 |
| B14L003-20-240 | 1 1/4" | 31,8 | 32 | 1 1/2" | 55,5 | 60,3 |
| B14L003-24-240 | 1 1/2" | 38,1 | 40 | 1 1/2" | 56 | 60,3 |
| B14L003-24-320 | 1 1/2" | 38,1 | 40 | 2" | 67,5 | 71,4 |
| B14L003-32-320 | 2" | 50,8 | 50 | 2" | 69 | 71,4 |

SERIE B14L043

FLANGIA 45° 3000 P.S.I. SAE J517 (PEZZO UNICO)

45° FLANGE 3000 P.S.I. SAE J517 CODE 61 (SOLID ONE PIECE)

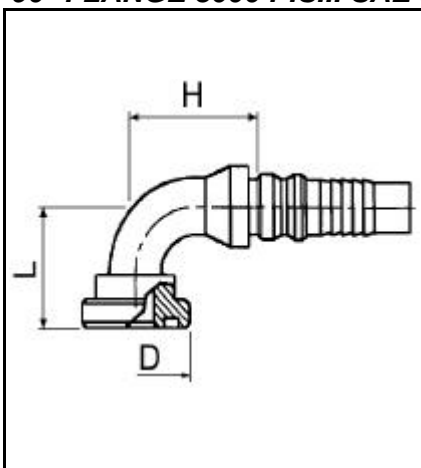


| Codice Part number | ø Int. Tubo Hose I.D. | | | Flangia Flange size | Dimensioni Dimensions | |
|-----------------------|--------------------------|------|----|------------------------|--------------------------|------|
| | Pollici | mm | DN | | H | L |
| B14L043-08-080 | 1/2" | 12,7 | 12 | 1/2" | 51 | 26 |
| B14L043-08-120 | 1/2" | 12,7 | 12 | 3/4" | 58 | 26 |
| B14L043-12-120 | 3/4" | 19 | 20 | 3/4" | 68 | 26 |
| B14L043-12-160 | 3/4" | 19 | 20 | 1" | 68 | 32,5 |
| B14L043-16-160 | 1" | 25,4 | 25 | 1" | 81 | 30 |
| B14L043-16-200 | 1" | 25,4 | 25 | 1 1/4" | 86 | 35 |
| B14L043-20-200 | 1 1/4" | 31,8 | 32 | 1 1/4" | 96 | 39 |
| B14L043-20-240 | 1 1/4" | 31,8 | 32 | 1 1/2" | 94 | 35 |
| B14L043-24-240 | 1 1/2" | 38,1 | 40 | 1 1/2" | 102 | 25 |
| B14L043-24-320 | 1 1/2" | 38,1 | 40 | 2" | 102 | 35 |
| B14L043-32-320 | 2" | 50,8 | 50 | 2" | 142 | 42 |

SERIE B14L093

FLANGIA 90° 3000 P.S.I. SAE J517 (PEZZO UNICO)

90° FLANGE 3000 P.S.I. SAE J517 CODE 61 (SOLID ONE PIECE)

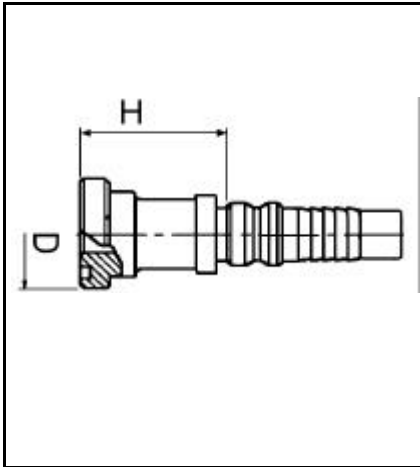


| Codice Part number | ø Int. Tubo Hose I.D. | | | Flangia Flange size | Dimensioni Dimensions | |
|-----------------------|--------------------------|------|----|------------------------|--------------------------|-----|
| | Pollici | mm | DN | | H | L |
| B14L093-08-080 | 1/2" | 12,7 | 12 | 1/2" | 34 | 46 |
| B14L093-08-120 | 1/2" | 12,7 | 12 | 3/4" | 51 | 53 |
| B14L093-12-120 | 3/4" | 19 | 20 | 3/4" | 58 | 57 |
| B14L093-12-160 | 3/4" | 19 | 20 | 1" | 58 | 57 |
| B14L093-16-160 | 1" | 25,4 | 25 | 1" | 72 | 65 |
| B14L093-16-200 | 1" | 25,4 | 25 | 1 1/4" | 72 | 65 |
| B14L093-20-200 | 1 1/4" | 31,8 | 32 | 1 1/4" | 88 | 75 |
| B14L093-20-240 | 1 1/4" | 31,8 | 32 | 1 1/2" | 88 | 75 |
| B14L093-24-240 | 1 1/2" | 38,1 | 40 | 1 1/2" | 101 | 83 |
| B14L093-24-320 | 1 1/2" | 38,1 | 40 | 2" | 101 | 83 |
| B14L093-32-320 | 2" | 50,8 | 50 | 2" | 154 | 105 |

SERIE B14L006

FLANGIA DIRITTA 6000 P.S.I. SAE J517

STRAIGHT FLANGE 6000 P.S.I. SAE J517 CODE 62

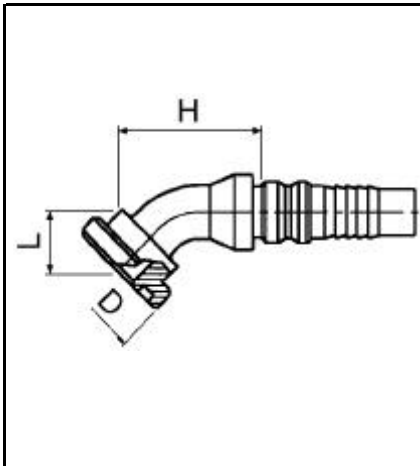


| Codice Part number | ø Int. Tubo Hose I.D. | | | Flangia Flange size | Dimensioni Dimensions | |
|-----------------------|--------------------------|------|----|------------------------|--------------------------|------|
| | Pollici | mm | DN | | H | L |
| B14L006-08-080 | 1/2" | 12,7 | 12 | 1/2" | 45 | 31,8 |
| B14L006-08-120 | 1/2" | 12,7 | 12 | 3/4" | 50 | 41,3 |
| B14L006-12-120 | 3/4" | 19 | 20 | 3/4" | 50 | 41,3 |
| B14L006-12-160 | 3/4" | 19 | 20 | 1" | 53 | 47,6 |
| B14L006-16-160 | 1" | 25,4 | 25 | 1" | 54 | 47,6 |
| B14L006-16-200 | 1" | 25,4 | 25 | 1 1/4" | 61 | 54 |
| B14L006-20-200 | 1 1/4" | 31,8 | 32 | 1 1/4" | 62 | 54 |
| B14L006-20-240 | 1 1/4" | 31,8 | 32 | 1 1/2" | 68 | 63,5 |
| B14L006-24-240 | 1 1/2" | 38,1 | 40 | 1 1/2" | 68,5 | 63,5 |
| B14L006-24-320 | 1 1/2" | 38,1 | 40 | 2" | 73,5 | 79,4 |
| B14L006-32-320 | 2" | 50,8 | 50 | 2" | 75 | 79,4 |

SERIE B14L046

FLANGIA 45° 6000 P.S.I. SAE J517 (PEZZO UNICO)

45° FLANGE 6000 P.S.I. SAE J517 CODE 62 (SOLID ONE PIECE)

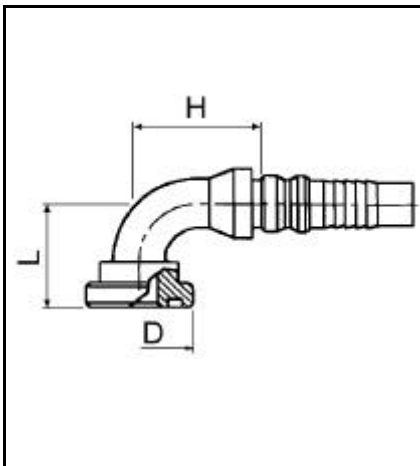


| Codice Part number | ø Int. Tubo Hose I.D. | | | Flangia Flange size | Dimensioni Dimensions | |
|-----------------------|--------------------------|------|----|------------------------|--------------------------|----|
| | Pollici | mm | DN | | H | L |
| B14L046-08-080 | 1/2" | 12,7 | 12 | 1/2" | 52 | 26 |
| B14L046-08-120 | 1/2" | 12,7 | 12 | 3/4" | 61 | 29 |
| B14L046-12-120 | 3/4" | 19 | 20 | 3/4" | 69 | 30 |
| B14L046-12-160 | 3/4" | 19 | 20 | 1" | 73 | 34 |
| B14L046-16-160 | 1" | 25,4 | 25 | 1" | 84 | 35 |
| B14L046-16-200 | 1" | 25,4 | 25 | 1 1/4" | 107 | 39 |
| B14L046-20-200 | 1 1/4" | 31,8 | 32 | 1 1/4" | 98 | 40 |
| B14L046-20-240 | 1 1/4" | 31,8 | 32 | 1 1/2" | 105 | 46 |
| B14L046-24-240 | 1 1/2" | 38,1 | 40 | 1 1/2" | 117 | 46 |
| B14L046-24-320 | 1 1/2" | 38,1 | 40 | 2" | 128 | 58 |
| B14L046-32-320 | 2" | 50,8 | 50 | 2" | 150 | 58 |

SERIE B14L096

FLANGIA 90° 6000 P.S.I. SAE (PEZZO UNICO)

90° FLANGE 6000 P.S.I. SAE J517 (SOLID ONE PIECE)

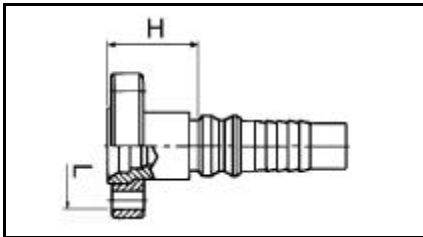


| Codice Part number | ø Int. Tubo Hose I.D. | | | Flangia Flange size | Dimensioni Dimensions | |
|-----------------------|--------------------------|------|----|------------------------|--------------------------|-------|
| | Pollici | mm | DN | | H | L |
| B14L096-08-080 | 1/2" | 12,7 | 12 | 1/2" | 34 | 45 |
| B14L096-08-120 | 1/2" | 12,7 | 12 | 3/4" | 51 | 56 |
| B14L096-12-120 | 3/4" | 19 | 20 | 3/4" | 58 | 61 |
| B14L096-12-160 | 3/4" | 19 | 20 | 1" | 58 | 67 |
| B14L096-16-160 | 1" | 25,4 | 25 | 1" | 72 | 72 |
| B14L096-16-200 | 1" | 25,4 | 25 | 1 1/4" | 72 | 80 |
| B14L096-20-200 | 1 1/4" | 31,8 | 32 | 1 1/4" | 88 | 85 |
| B14L096-20-240 | 1 1/4" | 31,8 | 32 | 1 1/2" | 88 | 93,5 |
| B14L096-24-240 | 1 1/2" | 38,1 | 40 | 1 1/2" | 106 | 100,5 |
| B14L096-24-320 | 1 1/2" | 38,1 | 40 | 2" | 106 | 116,5 |
| B14L096-32-320 | 2" | 50,8 | 50 | 2" | 154 | 134,5 |

SERIE B14C006

FLANGIA MASCHIO x POCLAIN

POCLAIN MALE FLANGE

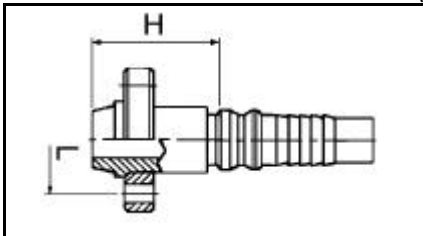


| Codice Part number | ø Int. Tubo Hose I.D. | | | Filetto Thread | Dimensioni Dimensions | |
|-----------------------|--------------------------|------|----|-------------------|--------------------------|------|
| | Pollici | mm | DN | | H | L |
| B14C006-10-100 | 5/8" | 15,9 | 16 | 5/8" | 38 | 44,4 |
| B14C006-12-120 | 3/4" | 19 | 20 | 3/4" | 42,5 | 56,1 |
| B14C006-16-160 | 1" | 25,4 | 25 | 1" | 49,5 | 63,6 |
| B14C006-20-200 | 1 1/4" | 31,8 | 32 | 1 1/4" | 52 | 73,9 |

SERIE B14P006

FLANGIA FEMMINA x POCLAIN (PEZZO UNICO)

POCLAIN FEMALE FLANGE (SOLID ONE PIECE)

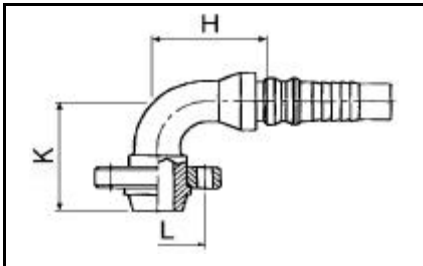


| Codice Part number | ø Int. Tubo Hose I.D. | | | Filetto Thread | Dimensioni Dimensions | |
|-----------------------|--------------------------|------|----|-------------------|--------------------------|------|
| | Pollici | mm | DN | | H | L |
| B14P006-10-100 | 5/8" | 15,9 | 16 | 5/8" | 43,5 | 44,4 |
| B14P006-12-120 | 3/4" | 19 | 20 | 3/4" | 48,5 | 56,1 |
| B14P006-16-160 | 1" | 25,4 | 25 | 1" | 55,5 | 63,6 |
| B14P006-20-200 | 1 1/4" | 31,8 | 32 | 1 1/4" | 64 | 73,9 |

SERIE B14P096

FLANGIA FEMMINA x POCLAIN (PEZZO UNICO)

90° POCLAIN FEMALE FLANGE (SOLID ONE PIECE)



| Codice Part number | ø Int. Tubo Hose I.D. | | | Filetto Thread | Dimensioni Dimensions | |
|-----------------------|--------------------------|------|----|-------------------|--------------------------|------|
| | Pollici | mm | DN | | H | K |
| B14P096-10-100 | 5/8" | 15,9 | 16 | 5/8" | 56 | 54,5 |
| B14P096-12-120 | 3/4" | 19 | 20 | 3/4" | 61 | 60 |
| B14P096-16-160 | 1" | 25,4 | 25 | 1" | 77 | 76 |
| B14P096-20-200 | 1 1/4" | 31,8 | 32 | 1 1/4" | 94,5 | 89,5 |